

# SPECIFICATIONS

MODEL	WHEEL BASE	GVM (optional)	GCM (optional)
A 6x4 FV51 360hp MWB 13 Sp. MAN (FV51SK2FAA)	4300mm	25,400kg	50,000kg
B 6x4 FV51 360hp MWB 12 Sp. AMT (FV51SK2VFAA)	4300mm	25,400kg	50,000kg
C 6x4 FV51 455hp MWB 12 Sp. AMT (FV51SK5VFAA)	4300mm	25,400kg	53,000kg

## SERVICE INTERVALS

Interval*	40,000km, 12 Months or 800 Hours (whichever occurs first)
Notes	* based on normal operating conditions and may be reduced when operating under severe conditions.

## WARRANTY

Basic/Powertrain	5 Years, 500,000kms or 10,000 operating hours (whichever occurs first)
Cab Perforation/Anti Corrosion	5 Years

## PERFORMANCE

Turning Circle (kerb to kerb - metres)	15.0		
Electronically Speed Limited to:	100km/hr Conforms to ADR65/..		
Engine Speed (rpm) at 100km/hr (top gear)	A 1970	B 1891	C 1891
Gradeability at Rated GCM (theoretical)*	40%	24%	30%
Notes	*This is theoretical performance only. Actual performance may vary under different conditions		

## MASS (ESTIMATED)\*

Front*	A 4505kg	B 4365kg	C 4340kg
Rear*	3505kg	3470kg	3360kg
Total*	8010kg	7835kg	7700kg
Notes	* Mass (est.) includes oil and water but excludes spare wheel, tools & fuel. Weights provided are subject to 3.5% variation (+/-)		

## DIMENSIONS (MM)

Width Front Fender (mm)	2490
Width Rear Axle (mm)	2470
Width Front Track (mm)	2055
Width Rear Track (mm)	1850
Width Frame (mm)	840
A - Length Overall (mm)	7640
B - Extreme Axle Spacing (mm)	4960
C - Front Overhang (mm)	1370
D - Wheelbase (mm)	4300
F - Rear Axle Spacing (mm)	1320
G - Front Axle to Rear of Cab (mm)	700
H - Rear of Cab to Rearmost Item Behind Cab (mm)	183
I - Rearmost Item Behind Cab to Rear Axle (mm)	3417
J - Frame, Rear Axle to End (mm)	1970
N - Height Overall (mm)	3303
O - Air Intake to Cab Roof (mm)	205
P - Height Cab to Ground (mm)	3098
Q - Height Cab to Frame (mm)	2090
R - Height Rear Frame to Ground (mm)	1058

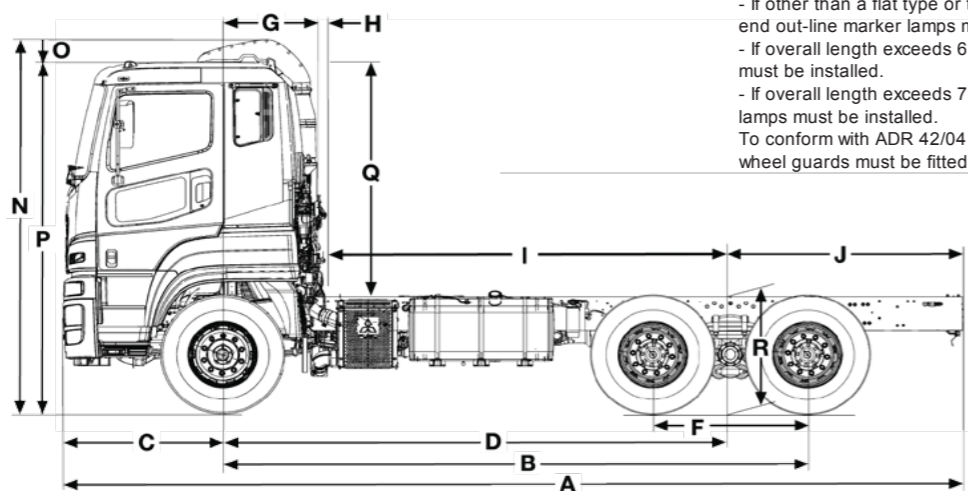
## BODY BUILDER'S NOTES

Notes

Chassis reinforcement must be utilised for Tipper/Demountable type body configurations. To conform with ADR 13/00 (lighting requirements) the following must be adhered to at body installation.

- If other than a flat type or tipper body is fitted, rear end out-line marker lamps must be installed.
- If overall length exceeds 6.0 metres, side reflectors must be installed.
- If overall length exceeds 7.5 metres, side marker lamps must be installed.

To conform with ADR 42/04 (General Safety), rear wheel guards must be fitted to the vehicle.



# HEAVY FV51 6X4.

## MANUAL OR AMT / MECH SUSP. / MWB

GVM

**25,400KG**

Heavy rigid licence required.

GCM

**50,000KG TO 53,000KG**

Power/Torque

**360HP/1,850NM TO 455HP/2,200NM**



**5**  
YEAR WARRANTY

**CALL 1300 429 134**

or visit [fuso.com.au](http://fuso.com.au)

**FUSO**

**40,000KM SERVICE INTERVALS.**

Unless specified in writing herein the accessories, applications, bodies or equipment depicted in this document are for illustration purposes only and may not be available from Mercedes-Benz Australia/Pacific Pty Ltd (ABN 23 004 411 410) ("MBAuP"). No representation or warranty whatsoever is given in relation to any accessories, applications, bodies or equipment or suitability of same that are shown herein that may be manufactured, supplied or fitted by a party other than MBAuP. MBAuP reserves the right without notice or obligation to discontinue or make changes to the colour, designs, materials and specifications of the products and options referred to herein at any time. For the most current information and in order to ascertain which accessories, applications, bodies and equipment are available from MBAuP please contact your authorised Mitsubishi FUSO truck and bus dealer. Fuso is a registered trademark of Mitsubishi Fuso Truck & Bus Corporation. Copyright © MBAuP. Reproduction in whole or part prohibited without written approval. Part Number TSH51E-SSV2. Valid from 01-Mar-17.

[fuso.com.au](http://fuso.com.au)

**FUSO**

# SPECIFICATIONS

## MODEL

<b>A</b>	6x4 FV51 360hp MWB 13 Sp. MAN (FV51SK2FAA)
<b>B</b>	6x4 FV51 360hp MWB 12 Sp. AMT (FV51SK2VFAA)
<b>C</b>	6x4 FV51 455hp MWB 12 Sp. AMT (FV51SK5VFAA)

## WHEEL BASE

4300mm
4300mm
4300mm

## GVM (optional)

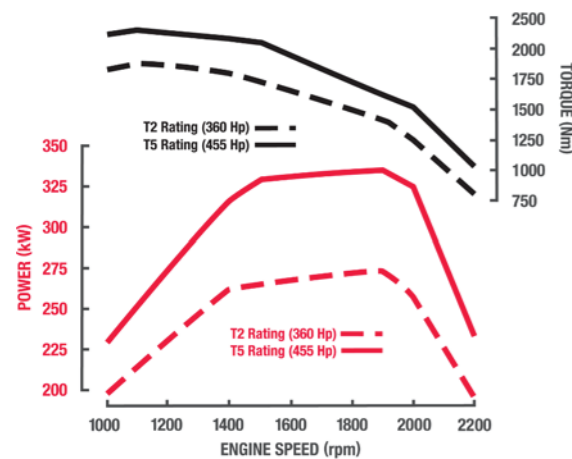
25,400kg
25,400kg
25,400kg

## GCM (optional)

50,000kg
50,000kg
53,000kg

## ENGINE

Engine Version Configuration	<b>A B</b>	FUSO OM457-T2 Diesel	<b>C</b>	FUSO OM457-T5 Diesel
	6 Cyl. In-line OHV			
	Waste-gate Turbocharged with Air to Air Intercooled			
	12 litre (11967cc)			
Type	Waste-gate Turbocharged with Air to Air Intercooled			
Displacement	12 litre (11967cc)			
Bore	128mm			
Stroke	155mm			
Power (DIN)	<b>A B</b>	265kW @ 1900 rpm	<b>C</b>	335kW @ 1900 rpm
	Torque (DIN)			
Torque (DIN)		1850Nm @ 1100 rpm	2200Nm @ 1100 rpm	
Maximum Engine Speed	2100 rpm		2100 rpm	
Cooling System / Oil Cooler	Water cooled, 32.0L capacity/ Plate type engine oil cooler			
Air Cleaner	Paper Element Type with Restrictor Indicator. Vertical Intake Mounted on Clean Air Side (RH)			
Emission Control	Selective Catalytic Reduction (SCR)			
Emission Level	ADR 80/03 - Euro 5			



## FUEL

Injection System	Electronically Controlled Unit Pump Injection
Tank Type	Rectangular Alloy Tank with Locking Cap
Fuel Capacity *	400 Litres
Filtration	Filter with Water Separator and Dash Indicator
AdBlue Exhaust Fluid Capacity	40 Litres, Tank fitted with locking AdBlue cap
Speed Limiter	Speed Limited 100km/h
Notes	*Max Fill to approx 95% of Air Capacity

## COOLING

Fan Drive	Thermo modulated continuous control (Viscous)
Radiator	Corrugated Fin with Expansion Tank

## ELECTRICAL

Voltage	24V Negative Ground
Alternator Capacity	24V-80 amp
Starter Capacity	24V-7.0kW
Battery Capacity	2x12V, 150Ah/20hr
Battery Specification	2x145G51 (N150)
Headlamp Type	Halogen
Headlamp Capacity	Low beam 2x70W High beam 2x70W
Fog Light	Halogen

## CLUTCH

Clutch Model	<b>A</b>	FUSO C14W40P	<b>B C</b>	FUSO C12W43P
Type	Twin Dry Plate		Single Plate	
Operation/Specification	Air Assisted Hydraulic		Automated Manual (no clutch pedal)	

## TRANSMISSION

Version	<b>A</b>	Eaton Manual RTLO-14913	<b>B C</b>	FUSO Automated Manual G230-12 (INOMAT-II)
Type/Speeds	13 Speed Constant Mesh		12 Speed Automated Manual with Auto and Manual Modes	
Features	Counter-shaft Brake Oil Cooler		Crawler Mode Skip Shift Function for Light Loads ECO Mode to Minimise Fuel Usage	
Ratios	1st: 12.310 2nd: 8.640 3rd: 6.110 4th: 4.430 5th: 3.230 6th: 2.290 7th: 1.950 8th: 1.620 9th: 1.380 10th: 1.170 11th: 1.000 12th: 0.860 13th: 0.730 RHigh: 3.500 RLow: 13.220		1st: 11.672 2nd: 9.101 3rd: 7.055 4th: 5.501 5th: 4.400 6th: 3.430 7th: 2.652 8th: 2.068 9th: 1.603 10th: 1.250 11th: 1.000 12th: 0.779 RHigh: 9.101 RLow: 11.673 Torque limited to 1775Nm from 1st to 3rd and Reverse LH Side and Rear of XMSM	
PTO Opening	Lower Transmission		LH Side and Rear of XMSM	

## PROPELLER SHAFT

Type	Single Main Shaft GW5E2200 Inter-axle Shaft P12
------	--

## FRONT AXLE

Axle Version	FUSO F090T
Type	Reverse Elliot 'I' Beam
Capacity *	7500kg
Notes	*See MAX LOADING for vehicle capacity.

## FRONT SUSPENSION

Type	Long Taper Leaf with Double Acting Shock Absorbers
Size	1500x90mm Leaves

## REAR AXLE

Type	Full Floating Hypoid Type Tandem Drive with Inter-Axle Diff Lock			
Axle Version	FUSO R10/D10			
Capacity*	21600kg			
Ratio	<b>A</b>	5.142:1	<b>B C</b>	4.625:1
Notes	*See MAX LOADING for vehicle capacities			

# SPECIFICATIONS

## MODEL

<b>A</b>	6x4 FV51 360hp MWB 13 Sp. MAN (FV51SK2FAA)
<b>B</b>	6x4 FV51 360hp MWB 12 Sp. AMT (FV51SK2VFAA)
<b>C</b>	6x4 FV51 455hp MWB 12 Sp. AMT (FV51SK5VFAA)

## WHEEL BASE

4300mm
4300mm
4300mm

## GVM (optional)

25,400kg
25,400kg
25,400kg

## GCM (optional)

50,000kg
50,000kg
53,000kg

## REAR SUSPENSION

Type	Mechanical Suspension
Details	Long Leaf Taper, 6 Rod Trunnion
Size Main Leaves	1320x90mm

## MAX LOADING

Front	6500kg
Rear	21600kg
Total	25400kg

## OPTIONS

Options	<b>A B</b>	R51: Flywheel (Live Drive) PTO	<b>C</b>	R54: Limited Slip Differential (LSD) for Both Diffs
---------	------------	--------------------------------	----------	---

## STEERING

Type	Integral Ball and Nut
Steering Column	Tilt/Telescopic Adjustable

## BRAKES

Type	Full Air, Dual Circuit with FUSO Taper Rollers, ABS plus ASR (Anti Slip Regulator)
Size Front	410x150mm
Size Rear	410x200mm
Park Brake	Rear Wheel Spring Actuated
Engine	Constant Throttle Brake 4 Levels of Retardation
Trailer	Hand Control Valve, Air Lines Coupling and Electrical Cable

## WHEELS & TYRES

Wheel Type	<b>A B</b>	11, Single Piece Steel Disc (Including Spare)	<b>C</b>	11, Single Piece Alloy Disc (Including Spare)
Wheel Size	22.5x8.25DC			
Wheel Stud Pattern	10x335mm PCD			
Tyre Size Front	295/80R22.5 152/148			
Tyre Size Rear	11R22.5 148/145			
Tyre Size Spare	295/80R22.5 152/148			
Spare Tyre Carrier	Not Provided			

## CHASSIS

Type	Reinforced Parallel Channel
Size	300x90x7.0mm
Width	840mm
Tensile Strength	540Mpa

## INSTRUMENTS

Gauges	Speedometer with Odometer Tachometer Air Pressure (2) Fuel Level Water Temperature AdBlue Level	
Colour Information Display	Fuel Consumption Service Indicators Hour Meter and Tripmeter Oil Level Check	
Warning Lamps	<b>A</b> ABS ASR Turn Signal High Beam Engine Brake Fog Lamp All Major System Faults Oil Level Ad Blue Low Alternator Differential Lock Cruise Control Cab Tilt Lock	<b>B C</b> ABS ASR Turn Signal High Beam Engine Brake Shift Down Brake Fog Lamp All Major System Faults Oil Level Ad Blue Low Alternator Differential Lock Cruise Control Cab Tilt Lock
Warning Lamp/Buzzer	Air Pressure Oil Pressure Hill Start Park Brake Engine Overrun Engine Overheat / Low Coolant Level	

## MULTI-MEDIA PACKAGE

Satellite Navigation	Maps with heavy vehicle weight, length, height & hazardous material selectable restrictions with 3 years of Map updates
Colour Display	6.1 inch LCD with touch screen control
Phone Connectivity	Bluetooth® hands free
Audio Visual Entertainment	CD/DVD player Digital radio DAB+ (also AM/FM for areas not covered by DAB+) USB port for iPod® * & other devices
Reversing Camera Compatible	Display can accept up to 3 cameras#
Notes	* iPod® compatibility requires an additional licenced cable # Cameras available through spare parts

## CAB FEATURES

Type	All Steel Forward Control Electric / Hydraulic Tilt Cab			
Cab Structure	ECE-R29 Standard			
Mounting	Air Suspended Front and Rear			
Colour	Natural White			
Windscreen Wipers	2 Speed + Intermittent Cycle with Integrated Washer Nozzles			
Rear Vision Mirrors	2 x External Flat Main Mirrors Plus Convex Spotters Motorised Main Mirrors, All Mirrors Heated			
Seating Capacity	<b>A B</b>	3	<b>C</b>	2
Seat Belts	Lap Sash Belts for Outside Seating Positions Lap Belt for Centre Seat			
Seat (driver)	Suspended (ISRI)			
Seats (passenger)	<b>A B</b>	2 Fixed	<b>C</b>	Single Fixed
Sleeping	ADR42/04 Approved Sleeping Berth (455hp Only)			