

# SPECIFICATIONS

MODEL	WHEEL BASE	GVM (optional)	GCM (optional)
A 8x4 FS52 400hp LWB 12 Sp. AMT (FS52SS3VFAA)	5870mm	30,800kg	53,000kg
B 8x4 FS52 455hp LWB 12 Sp. AMT (FS52SS5VFAA)	5870mm	30,800kg	53,000kg
C 8x4 FS52 400hp LWB 6 Sp. AUTO (FS52SS3FAA)	5870mm	30,800kg	53,000kg

## WARRANTY

Basic/Powertrain	5 Years, 500,000kms or 10,000 operating hours (whichever occurs first)
Cab Perforation/Anti Corrosion	5 Years

## PERFORMANCE

Turning Circle (kerb to kerb - metres)	21.6		
Electronically Speed Limited to:	100km/hr		
	Conforms to ADR65/..		
Engine Speed (rpm) at 100km/hr (top gear)	A 1891	B 1891	C 2068
Gradeability at Rated GCM (theoretical)*	23%	30%	12%
Notes	*This is theoretical performance only. Actual performance may vary under different conditions		

## MASS (ESTIMATED)\*

Front*	A 5780kg	B 5730kg	C 5930kg
Rear*	3045kg	2935kg	3120kg
Total*	8825kg	8665kg	9050kg
Notes	* Mass (est.) includes oil and water but excludes spare wheel, tools & fuel. Weights provided are subject to 3.5% variation (+/-)		

## DIMENSIONS (MM)

Width Front Fender (mm)	2490
Width Rear Axle (mm)	2485
Width Front Track (mm)	2055
Width Rear Track (mm)	1850
Width Frame (mm)	840
A - Length Overall (mm)	10140
B - Extreme Axle Spacing (mm)	6530
C - Front Overhang (mm)	1370
D - Wheelbase (mm)	5870
F - Rear Axle Spacing (mm)	1320
G - Front Axle to Rear of Cab (mm)	700
H - Rear of Cab to Rearmost Item Behind Cab (mm)	183
I - Rearmost Item Behind Cab to Rear Axle (mm)	4987
J - Frame, Rear Axle to End (mm)	2900
N - Height Overall (mm)	3329
O - Air Intake to Cab Roof (mm)	205
P - Height Cab to Ground (mm)	3124
Q - Height Cab to Frame (mm)	2090
R - Height Rear Frame to Ground (mm)	1058

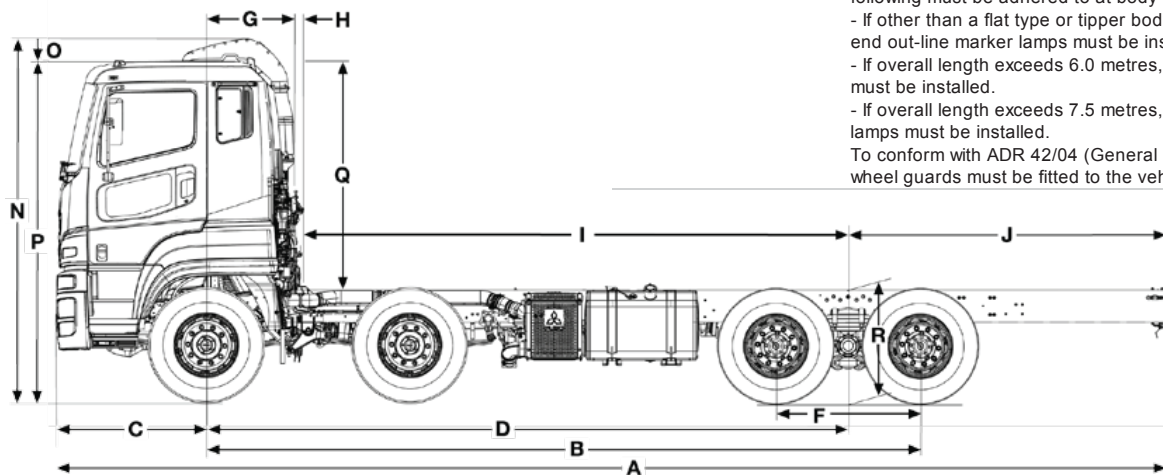
## BODY BUILDER'S NOTES

Notes

Chassis reinforcement must be utilised for Tipper/Demountable type body configurations. To conform with ADR 13/00 (lighting requirements) the following must be adhered to at body installation.

- If other than a flat type or tipper body is fitted, rear end out-line marker lamps must be installed.
- If overall length exceeds 6.0 metres, side reflectors must be installed.
- If overall length exceeds 7.5 metres, side marker lamps must be installed.

To conform with ADR 42/04 (General Safety), rear wheel guards must be fitted to the vehicle.



# HEAVY FS52 8X4.

## AMT OR AUTO / MECH SUSP. / LWB

GVM

**30,800KG**

GCM

**53,000KG**

Power/Torque

**400HP/2,000NM OR  
455HP/2,200NM**

Heavy rigid licence required.

Flywheel (Live Drive) PTO option available on 400Hp Model.



**5  
YEAR  
WARRANTY**

**CALL 1300 429 134**

or visit [fuso.com.au](http://fuso.com.au)

**FUSO**

**40,000KM SERVICE INTERVALS.**

Unless specified in writing herein the accessories, applications, bodies or equipment depicted in this document are for illustration purposes only and may not be available from Mercedes-Benz Australia/Pacific Pty Ltd (ABN 23 004 411 410) ("MBAuP"). No representation or warranty whatsoever is given in relation to any accessories, applications, bodies or equipment or suitability of same that are shown herein that may be manufactured, supplied or fitted by a party other than MBAuP. MBAuP reserves the right without notice or obligation to discontinue or make changes to the colour, designs, materials and specifications of the products and options referred to herein at any time. For the most current information and in order to ascertain which accessories, applications, bodies and equipment are available from MBAuP please contact your authorised Mitsubishi FUSO truck and bus dealer. Fuso is a registered trademark of Mitsubishi Fuso Truck & Bus Corporation. Copyright © MBAuP. Reproduction in whole or part prohibited without written approval. Part Number TSH59D-SSV2. Valid from 01-Mar-17.

[fuso.com.au](http://fuso.com.au)

**FUSO**

# SPECIFICATIONS

## MODEL

<b>A</b>	8x4 FS52 400hp LWB 12 Sp. AMT (FS52SS3VFAA)
<b>B</b>	8x4 FS52 455hp LWB 12 Sp. AMT (FS52SS5VFAA)
<b>C</b>	8x4 FS52 400hp LWB 6 Sp. AUTO (FS52SS3FAA)

## WHEEL BASE

5870mm
5870mm
5870mm

## GVM (optional)

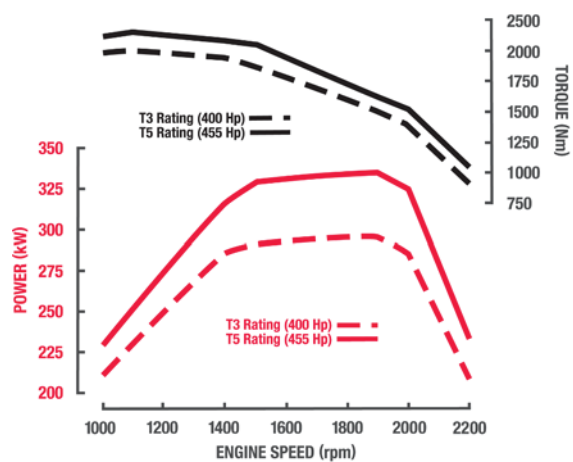
30,800kg
30,800kg
30,800kg

## GCM (optional)

53,000kg
53,000kg
53,000kg

## ENGINE

	<b>A C</b>	<b>B</b>
Engine Version	FUSO OM457-T3 Diesel	FUSO OM457-T5 Diesel
Configuration	6 Cyl. In-line OHV	
Type	Waste-gate Turbocharged with Air to Air Intercooled	
Displacement	12 litre (11967cc)	
Bore	128mm	
Stroke	155mm	
	<b>A C</b>	<b>B</b>
Power (DIN)	295kW @ 1900 rpm	335kW @ 1900 rpm
Torque (DIN)	2000Nm @ 1100 rpm	2200Nm @ 1100 rpm
Maximum Engine Speed	2100 rpm	
Cooling System / Oil Cooler	Water cooled, 32.0L capacity/ Plate type engine oil cooler	
Air Cleaner	Paper Element Type with Restrictor Indicator. Vertical Intake Mounted on Clean Air Side (RH)	
Emission Control	Selective Catalytic Reduction (SCR)	
Emission Level	ADR 80/03 - Euro 5	



## FUEL

Injection System	Electronically Controlled Unit Pump Injection
Tank Type	Rectangular Steel Tank with Locking Cap
Fuel Capacity *	400 Litres
Filtration	Filter with Water Separator and Dash Indicator
AdBlue Exhaust Fluid Capacity	40 Litres, Tank fitted with locking AdBlue cap
Speed Limiter	Speed Limited 100km/h
Notes	*Max Fill to approx 95% of Air Capacity

## COOLING

Fan Drive	Thermo modulated continuous control (Viscous)
Radiator	Corrugated Fin with Expansion Tank

## ELECTRICAL

Voltage	24V Negative Ground
Alternator Capacity	24V-80 amp
Starter Capacity	24V-7.0kW
Battery Capacity	2x12V, 150Ah/20hr
Battery Specification	2x145G51 (N150)
Headlamp Type	Halogen
Headlamp Capacity	Low beam 2x70W High beam 2x70W
Fog Light	Halogen

## CLUTCH

	<b>A B</b>	<b>C</b>
Clutch Model	FUSO C12W43P	N/A
Type	Single Plate	N/A
Operation/Specification	Automated Manual (no clutch pedal)	N/A

## TRANSMISSION

	<b>A B</b>	<b>C</b>
Version	FUSO Automated Manual G230-12 (INOMAT-II)	Allison Automatic HD4000
Type/Speeds	12 Speed Automated Manual with Auto and Manual Modes Crawler Mode	6 Speed
Features	Skip Shift Function for Light Loads ECO Mode to Minimise Fuel Usage	Generation 5 Control Systems. Torque Converter/Stall Torque Ratio: TC541/1.897.
Ratios	1st: 11.672 2nd: 9.101 3rd: 7.055 4th: 5.501 5th: 4.400 6th: 3.430 7th: 2.652 8th: 2.068 9th: 1.603 10th: 1.250 11th: 1.000 12th: 0.779 RHigh: 9.101 RLow: 11.673 Torque limited to 1775Nm from 1st to 3rd and Reverse	1st: 3.510 2nd: 1.906 3rd: 1.429 4th: 1.000 5th: 0.737 6th: 0.639 Rev. 4.800
PTO Opening	LH Side and Rear of XMSM	Top Mount Only

## PROPELLER SHAFT

Type	Two Main Shafts GW5E2200 Inter-axle Shaft P12
------	---

## FRONT AXLE

Axle Version	FUSO F090T
Type	Reverse Elliot 'I' Beam
Capacity *	15000kg total
Notes	*See MAX LOADING for vehicle capacity.

## FRONT SUSPENSION

Type	Long Taper Leaf (Load Sharing) with Double Acting Shock Absorbers
Size	1500x90mm Leaves

## REAR AXLE

Type	Full Floating Hypoid Type Tandem Drive with Inter-Axle Diff Lock	
Axle Version	FUSO R10/D10	
Capacity*	21600kg	
	<b>A B</b>	<b>C</b>
Ratio	4.625:1	6.166:1
Notes	*See MAX LOADING for vehicle capacities	

## REAR SUSPENSION

Type	Mechanical Suspension
Details	Long Leaf Taper, 6 Rod Trunnion
Size Main Leaves	1320x90mm

## MAX LOADING

	<b>A</b>	<b>B</b>	<b>C</b>
Front	13000kg	13000kg	13000kg
Rear	21600kg	21600kg	21600kg
Total	30800kg	30800kg (with H34 Option)	30800kg

# SPECIFICATIONS

## MODEL

<b>A</b>	8x4 FS52 400hp LWB 12 Sp. AMT (FS52SS3VFAA)
<b>B</b>	8x4 FS52 455hp LWB 12 Sp. AMT (FS52SS5VFAA)
<b>C</b>	8x4 FS52 400hp LWB 6 Sp. AUTO (FS52SS3FAA)

## WHEEL BASE

5870mm
5870mm
5870mm

## GVM (optional)

30,800kg
30,800kg
30,800kg

## GCM (optional)

53,000kg
53,000kg
53,000kg

## OPTIONS

	<b>A</b>	<b>B</b>
Options	R11: Flywheel (Live Drive) PTO	H34: 34000kg GVM / 34000kg GCM for 'Special Vehicles' such as Concrete Pumps

## STEERING

Type	Integral Ball and Nut
Steering Column	Tilt/Telescopic Adjustable

## BRAKES

Type	Full Air, Dual Circuit with FUSO Taper Rollers, ABS plus ASR (Anti Slip Regulator)	
Size Front	410x150mm	
Size Rear	410x200mm	
Park Brake	Rear Wheel Spring Actuated	
Engine	Constant Throttle Brake 4 Levels of Retardation	
	<b>A B</b>	<b>C</b>
Trailer	Hand Control Valve, Air Lines Coupling and Electrical Cable	N/A

## WHEELS & TYRES

	<b>A C</b>	<b>B</b>
Wheel Type	13, Single Piece Steel Disc (Including Spare)	13, Single Piece Alloy Disc (Including Spare)
Wheel Size	22.5x8.25DC	
Wheel Stud Pattern	10x335mm PCD	
Tyre Size Front	295/80R22.5 152/148	
Tyre Size Rear	11R22.5 148/145	
Tyre Size Spare	295/80R22.5 152/148	
Spare Tyre Carrier	Provided	

## CHASSIS

Type	Reinforced Parallel Channel
Size	300x90x7.0mm
Width	840mm
Tensile Strength	540Mpa

## INSTRUMENTS

Gauges	Speedometer with Odometer Tachometer Air Pressure (2) Fuel Level Water Temperature AdBlue Level	
Colour Information Display	Fuel Consumption Service Indicators Hour Meter and Tripmeter Oil Level Check	
	<b>A B</b>	<b>C</b>
Warning Lamps	ABS ASR Turn Signal High Beam Engine Brake & Shift Down Brake Fog Lamp All Major System Faults Oil Level Ad Blue Low Alternator Differential Lock Cruise Control Cab Tilt Lock	ABS ASR Turn Signal High Beam Engine Brake Brake Fog Lamp All Major System Faults Oil Level Ad Blue Low Alternator Differential Lock Cruise Control Cab Tilt Lock
Warning Lamp/Buzzer	Air Pressure Oil Pressure Hill Start Park Brake Engine Overrun Engine Overheat / Low Coolant Level	Air Pressure Oil Pressure Park Brake Engine Overrun Engine Overheat / Low Coolant Level

## MULTI-MEDIA PACKAGE

Satellite Navigation	Maps with heavy vehicle weight, length, height & hazardous material selectable restrictions with 3 years of Map updates
Colour Display	6.1 inch LCD with touch screen control
Phone Connectivity	Bluetooth® hands free
Audio Visual Entertainment	CD/DVD player Digital radio DAB+ (also AM/FM for areas not covered by DAB+) USB port for iPod® * & other devices
Reversing Camera Compatible	Display can accept up to 3 cameras#
Notes	* iPod® compatibility requires an additional licenced cable # Cameras available through spare parts

## STANDARD FEATURES

Airbag(s)	Driver's Air Bag and Seat Belt Pre-tensioners	
	<b>A B</b>	<b>C</b>
Hill Start System	Yes	No
Cab Cooling & Heating	Climate Control	
Accessory Power	24V Accessory Power Outlet / Cigar Lighter	
Driving	<b>A B</b> Suspended Driver's Seat Central Locking Electric Windows Cruise Control (range 40 to 100km/h) LH Transom Window Opening Rear Quarter Glass Cup Holder Fluorescent Cabin Lamp Trailer Package including Trailer "Stretch Brake"	<b>C</b> Suspended Driver's Seat Central Locking Electric Windows Cruise Control (range 40 to 100km/h) LH Transom Window Opening Rear Quarter Glass Cup Holder Fluorescent Cabin Lamp
Storage	Centre Storage Console Dash Storage Tray 2 DIN Driver's Overhead Storage Coat Hooks	
Cab: External	Fog Lights Door Side Impact Beams Roof Mounting Points (max. static load 70kg) Front End-Outline Marker Lamps	
Chassis	Integrated Front Underrun System (FUPS) Reverse Warning Buzzer Clear Top of Chassis Rail for ease of Body Fitment	

## CAB FEATURES

Type	All Steel Forward Control Electric / Hydraulic Tilt Cab	
Mounting	Air Suspended Front and Rear	
Colour	Natural White	
Windscreen Wipers	2 Speed + Intermittent Cycle with Integrated Washer Nozzles	
Rear Vision Mirrors	2 x External Flat Main Mirrors Plus Convex Spotters Motorised Main Mirrors, All Mirrors Heated	
	<b>A C</b>	<b>B</b>
Seating Capacity	3	2
Seat Belts	Lap Sash Belts for Outside Seating Positions Lap Belt for Centre Seat	
Seat (driver)	Suspended (ISR)	
	<b>A C</b>	<b>B</b>
Seats (passenger)	2 Fixed	Single Fixed
Sleeping		ADR42/04 Approved Sleeping Berth

## SERVICE INTERVALS

Interval*	40,000km, 12 Months or 800 Hours (whichever occurs first)
Notes	* based on normal operating conditions and may be reduced when operating under severe conditions.