

SPECIFICATIONS

MODEL	WHEEL BASE	GVM (optional)	GCM (optional)
A 6x2 2427 Air Susp. XXLWB 6 Sp. AUTO (FN63FU2RFAM)	6530mm	23,200kg	32,000kg
B 6x4 2427 Steel Susp. SWB 6 Sp. AUTO (FN62FK2RFAM)	4300mm	23,500kg	32,000kg
C 6x4 2427 Air Susp. XXLWB 6 Sp. AUTO (FN64FU2RFAM)	6530mm	24,000kg	32,000kg

MASS (ESTIMATED)*			
	A	B	C
Front*	3235kg	3135kg	3235kg
Rear*	3250kg	3710kg	3570kg
Total*	6485kg	6845kg	6825kg
Notes	* Mass (est.) includes oil and water but excludes spare wheel, tools & fuel. Weights provided are subject to 3.5% variation (+/-)		

BODY BUILDER'S NOTES

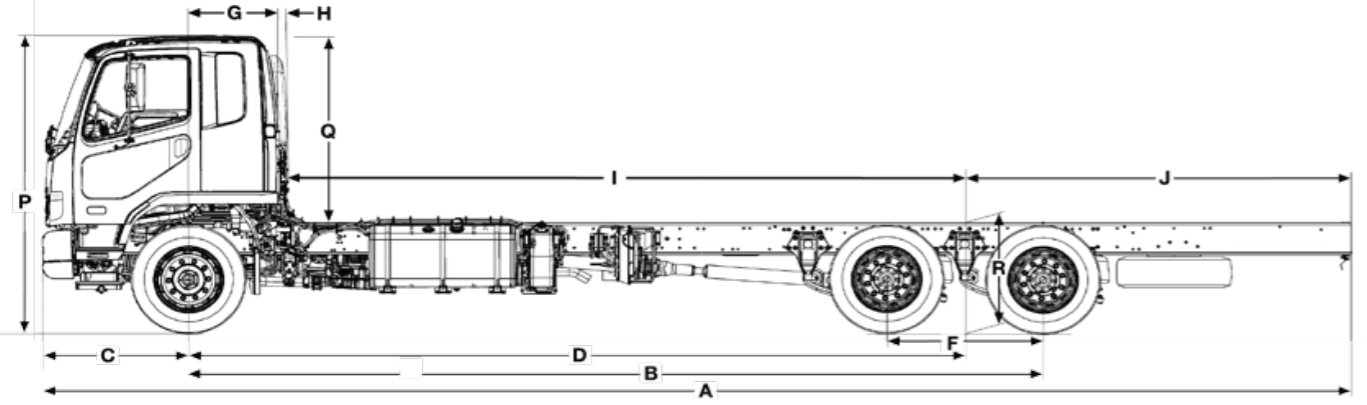
Notes

Chassis reinforcement must be utilised for Tipper/Demountable type body configurations. To conform with ADR 13/00 (lighting requirements) the following must be adhered to at body installation.

- If other than a flat type or tipper body is fitted, rear end out-line marker lamps must be installed.
- If overall length exceeds 6.0 metres, side reflectors must be installed.
- If overall length exceeds 7.5 metres, side marker lamps must be installed.

To conform with ADR 42/04 (General Safety), rear wheel guards must be fitted to the vehicle

DIMENSIONS (MM)		
	A C	B
Width Front Fender (mm)	2450	2450
Width Rear Axle (mm)	2470	2470
Width Front Track (mm)	1925	1925
Width Rear Track (mm)	1850	1850
Width Frame (mm)	841	851
A - Length Overall (mm)	11030	7515
B - Extreme Axle Spacing (mm)	7190	4960
C - Front Overhang (mm)	1245	1245
D - Wheelbase (mm)	6530	4300
F - Rear Axle Spacing (mm)	1320	1320
G - Front Axle to Rear of Cab (mm)	745	745
H - Rear of Cab to Rearmost Item Behind Cab (mm)	130	130
I - Rearmost Item Behind Cab to Rear Axle (mm)	5655	3425
J - Frame, Rear Axle to End (mm)	3255	1970
P - Height Cab to Ground (mm)	2630	2680
Q - Height Cab to Frame (mm)	1669	1663
R - Height Rear Frame to Ground (mm)	Inflated: 967 Deflated: 913	1037



FIGHTER 2427.

6X2-6X4 / 6-SP AUTO / STEEL OR AIR SUSP.

GVM	GCM	Power/Torque
23,200KG TO 24,000KG	32,000KG	199KW/784NM

Heavy rigid licence required.



5
YEAR WARRANTY

CALL 1300 429 134

or visit fuso.com.au



CLASS LEADING 30,000KM SERVICE INTERVALS.

Unless specified in writing herein the accessories, applications, bodies or equipment depicted in this document are for illustration purposes only and may not be available from Mercedes-Benz Australia/Pacific Pty Ltd (ABN 23 004 411 410) ("MBAuP"). No representation or warranty whatsoever is given in relation to any accessories, applications, bodies or equipment or suitability of same that are shown herein that may be manufactured, supplied or fitted by a party other than MBAuP. MBAuP reserves the right without notice or obligation to discontinue or make changes to the colour, designs, materials and specifications of the products and options referred to herein at any time. For the most current information and in order to ascertain which accessories, applications, bodies and equipment are available from MBAuP please contact your authorised Mitsubishi FUSO truck and bus dealer. Fuso is a registered trademark of Mitsubishi Fuso Truck & Bus Corporation. Copyright © MBAuP. Reproduction in whole or part prohibited without written approval. Part Number TSF44G-SSV2. Valid from 01-Mar-17.

fuso.com.au



SPECIFICATIONS

MODEL

A	6x2 2427 Air Susp. XXLWB 6 Sp. AUTO (FN63FU2RFAM)
B	6x4 2427 Steel Susp. SWB 6 Sp. AUTO (FN62FK2RFAM)
C	6x4 2427 Air Susp. XXLWB 6 Sp. AUTO (FN64FU2RFAM)

WHEEL BASE

6530mm
4300mm
6530mm

GVM (optional)

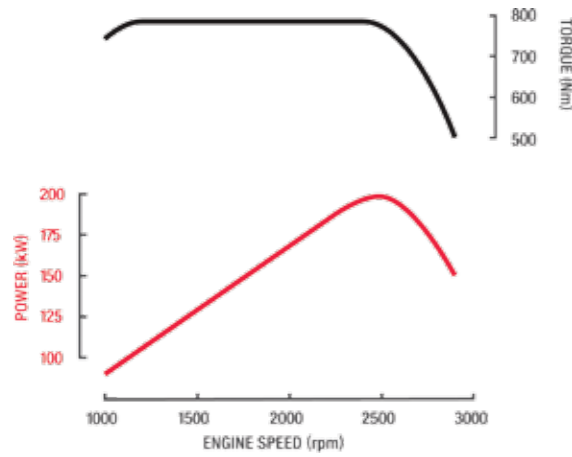
23,200kg
23,500kg
24,000kg

GCM (optional)

32,000kg
32,000kg
32,000kg

ENGINE

Engine Version	FUSO 6M60-9AT2 Diesel
Configuration	6 Cyl. In-line OHC, 4-Valve
Type	Variable Geometry Turbo Charged Air to Air Intercooler
Displacement	7.5 litre (7545cc)
Bore	118mm
Stroke	115mm
Power (ECE R85-00)	199kW @ 2500 rpm
Torque (ECE R85-00)	784Nm @ 1100-2400 rpm
Maximum Engine Speed	2900 rpm
Compression Ratio	16.0:1
Cooling System / Oil Cooler	Water cooled, 23.0L capacity/ Plate type engine oil cooler
Air Cleaner	Paper Element Type with Restrictor Indicator. Vertical Intake Mounted on Clean Air Side (RH)
Emission Control	Selective Catalytic Reduction (SCR) after-treatment system (BlueTec), Positive Crankcase Ventilation (PCV)
Emission Level	ADR 80/03 - Euro 5



FUEL

Injection System	DENSO Common Rail System Electronically Controlled Direct Injection	
Tank Type	A C Rectangular Alloy Tank with Locking Cap	B Rectangular Steel Tank with Locking Cap
Fuel Capacity *	400 Litres	200 Litres
AdBlue Exhaust Fluid Capacity	40 Litres	40 Litres
Speed Limiter	Speed Limited 100km/h	
Notes	*Max Fill to approx 95% of Air Capacity	

COOLING

Fan Drive	Thermo modulated continuous control (Viscous)
Radiator	Corrugated Fin with Expansion Tank

ELECTRICAL

Voltage	24V Negative Earth
Alternator Capacity	24V-80 amp
Starter Capacity	24V-5.0kW
Battery Capacity	2x12V, 65Ah/5hr
Headlamp Type	Halogen
Headlamp Capacity	Low Beam 2x70W High Beam 2x75W

TRANSMISSION

Version	Allison Automatic MD3500 (Fuso Code M100A6)	
Type/Speeds	6 Speed	
Features	Generation 5 Control Systems	
Ratios	1st: 4.593 2nd: 2.257 3rd: 1.535 4th: 1.000 5th 0.749 6th 0.651 Rev. 4.999	
Torque Converter/Stall Torque Ratio	TC415/2.35	
PTO Opening	4 o'clock & 8 o'clock	
Automatic Transmission Fluid Cooling	2 Chassis Mounted Coolers (LH & RH Side)	

PROPELLER SHAFT

Type	A P140	B C P140/P8
Universal Joint	Needle Roller	

FRONT AXLE

Axle Version	FUSO F650T
Type	Reverse Elliot 'I' Beam
Capacity *	6300kg
Notes	*See MAX LOADING for vehicle capacity.

FRONT SUSPENSION

Type	Parabolic Leaf with Double Acting Shock Absorbers
Size	1400x80mm Leaves

REAR AXLE

Type	A Full Floating Hypoid Drive with Trailing Rear	B Full Floating Hypoid, Tandem Drive with Inter-Axle Diff Lock	C Full Floating Hypoid, Tandem Drive with Inter-Axle Diff Lock
Axle Version	FUSO R10T/10D D10H	FUSO R10TT/10T D10HT/10H	FUSO R10TT/10T D10HT/10H
Capacity*	17200kg	21600kg	21600kg
Ratio	5.857:1	6.166:1	5.857:1
Notes	*See MAX LOADING for vehicle capacity.		

REAR SUSPENSION

Type	A C Air Suspension	B Mechanical Suspension
Details	Trailing Arm with Air Dump Control and Double Acting Shock Absorbers	Long Taper Leaf, 6 Rod Trunnion
Size Main Leaves	N/A	1320x90mm
Air Spring	2x250mm dia. per Axle	N/A
Trailing Arm	(643+390)x80x35mm-2 Leaves	N/A
Road Friendly Certification Number	RF2011	N/A
Capacity at Ground *	18000kg total	N/A

MAX LOADING

	A	B	C
Front	6000kg	6000kg	6000kg
Rear	17200kg	21600kg	18000kg
Total	23200kg	23500kg	24000kg

OPTIONS

Options	R02: Limited Slip Differential (LSD) to Drive Axle
---------	--

SPECIFICATIONS

MODEL

A	6x2 2427 Air Susp. XXLWB 6 Sp. AUTO (FN63FU2RFAM)
B	6x4 2427 Steel Susp. SWB 6 Sp. AUTO (FN62FK2RFAM)
C	6x4 2427 Air Susp. XXLWB 6 Sp. AUTO (FN64FU2RFAM)

WHEEL BASE

6530mm
4300mm
6530mm

GVM (optional)

23,200kg
23,500kg
24,000kg

GCM (optional)

32,000kg
32,000kg
32,000kg

STEERING

Type	Integral Power Assisted Ball and Nut
Steering Column	Tilt/Telescopic Adjustable with Lock
Ratio	22.4:1

BRAKES

Type	Full Air, Dual Circuit, FUSO Taper Roller, ABS, Automatic Brake Adjustment	
Size Front	410x150mm	
Size Rear	410x200mm	
Park Brake	Rear Wheel Spring Actuated	
Auxiliary	Exhaust Brake	
Compressor	Water Cooled, 340cc Single Cyl.	
Air Dryer Model	MD4	

WHEELS & TYRES

Wheel Type	11, Single Piece Disc	
Wheel Size	22.5x8.25DC-165-13t	
Wheel Stud Pattern	10x335mm PCD	
Tyre Size All	A C 275/70R22.5 148/145L	B 11R22.5 148/145L
		Traction Tread to Rear
Spare Tyre Carrier	Provided	No

CHASSIS

Type	Reinforced Parallel Channel	
Size	280x90x8.0mm	
Width	A C 841mm	B 851mm (includes outer frame reinforcement)
Tensile Strength	540Mpa	540Mpa

INSTRUMENTS

Gauges	Speedometer with Odometer Tachometer Air Pressure (2) Fuel Level Water Temperature
Colour Information Display	Fuel Consumption Service Indicators Hour Meter and Tripmeter
Warning Lamps	ABS Turn Signal High Beam Exhaust Brake Oil Level Ad Blue Low Fuel Low Park Brake Alternator Oil Filter Blockage Differential Lock Engine Control / Cruise Control (ECU) Air Filter Restriction Fuel Filter Water Contamination Door Opening
Warning Lamp/Buzzer	Air Pressure Oil Pressure Engine Overheat / Low Coolant Level

MULTI-MEDIA PACKAGE

Satellite Navigation	Maps with heavy vehicle weight, length, hazardous material selectable restrictions of Map updates
Colour Display	6.1 inch LCD with touch screen control
Phone Connectivity	Bluetooth® hands free
Audio Visual Entertainment	CD/DVD player and Digital radio DAB+ (also AM/FM for areas not covered by DAB USB port for iPod®* & other devices
Reversing Camera Compatible	Display can accept up to 3 cameras#
Notes	* iPod® compatibility requires an additional cable # Cameras available through spare parts

STANDARD FEATURES

Airbag(s)	Driver's Air Bag and Seat Belt Pre-tension
Hill Start System	No
Cab Cooling & Heating	Air Conditioner / Heater / Demister
Accessory Power	24V Accessory Power Outlet / Cigar Lighter
Driving	Keyless Central Locking Electric Windows Cruise Control LH Transom Window Fuso Multimedia Unit Cup Holders (4) Rear Quarter Glass Fluorescent Cabin Lamp and Interior Read Engine Idle Speed Control
Storage	Centre Seat Storage Console Rear Bunk Storage Pocket Dash Storage Tray 2 DIN Glove Compartm 1 Single & 1 Double DIN Slot for Accessor Overhead Storage Pocket with Lid RH Door Storage Pocket
Cab: External	Roof Mounting Points (max. static load 70kg Front End-Outline Marker Lamps
Chassis	Chassis Mounted Tool Box Reverse Warning Buzzer Integrated Front Underrun Protection Syst

CAB FEATURES

Type	All Steel Forward Control Manual Tilt 44 deg.
Mounting	Hydroelastic Susp. 4 Point
Colour	Natural White
Interior	Fully Trimmed
Windscreen	Laminated Tinted
Windscreen Wipers	2 Speed + Intermittent Cycle with Integrated Washer Nozzles
Door	90 degree Opening Angle
Rear Vision Mirrors	Remote / Heated with Convex Spotter (Both Sides)
Seating Capacity	3
Seat Belts	2 ELR Lap Sash, 1 Lap
Seat (driver)	ISRI Air Suspension with Height, Tilt and Dampening Adjustment Integral Headrest and Fabric Trim
Seats (passenger)	Centre: Low Back with Fabric Trim Forward Folding Far Passenger: Fixed Base with Reclining Seat Back, Integral Headrest and Fabric Trim

SERVICE INTERVALS

Interval*	30,000km, 12 Months or 600 Hours (whichever occurs first)
Notes	* based on normal operating conditions and may be reduced when operating under severe conditions.

WARRANTY

Basic/Powertrain	5 Years, 350,000kms or 7,000 operating hours (whichever occurs first)
Cab Perforation/Anti Corrosion	5 Years

PERFORMANCE

Turning Circle (kerb to kerb - metres)	A 22	B 15.6	C 21.8
Electronically Speed Limited to:	100km/hr Conforms to ADR65/..	100km/hr Conforms to ADR65/..	100km/hr Conforms to ADR65/..
Engine Speed (rpm) at 100km/hr (top gear)	2189	2104	2189
Gradeability at Rated GVM (theoretical)*	40%	36%	37%
Gradeability at Rated GCM (theoretical)*	27%	26%	27%
Notes	*This is theoretical performance only. Actual performance may vary under different conditions		