

# EURO CARGO E6 MLI80 THE TRUCK THE CITY LIKES



Overseas Model Shown



OFFICIAL TEAM TRANSPORTER

# IVECO

Your partner for sustainable transport

# E U R O C A R G O

## SPECIFICATIONS E6 MLI80

### DIMENSIONS (mm)

Cab	Day	Day	Sleeper
VB	5670	6570	6570
AF	2235	2775	2775
L	9267	10707	10707
CF	7485	8925	8345
H (unladen)	2857	2857	2857
HI (unladen)	–	–	3517
D (unladen)	937	937	937
Turning circle* (kerb to kerb)	19200	21900	21900

\* For wall to wall, add 1180 mm

### MASS (kg)

Cab	Day	Day	Sleeper
Kerb mass front axle	3689	3746	3856
Kerb mass rear axle	2195	2298	2318
Kerb mass total**	5884	6044	6174
GVM	18T	18T	18T
GCM	N/A	N/A	N/A

\*\* Approximate only with low roof cab chassis with oil and coolant, full fuel without driver

### ENGINE

280 hp IVECO Tector 7 (6.7 litre 6 cylinder) high pressure common rail electronic injection, turbo charged and intercooled 24 valve four stroke diesel

**Maximum Output:** 280 hp @ 2500 rpm

**Maximum Torque:** 1000 Nm @ 1250 rpm

**Emission Standard:** Euro 6 SCR (Selective Catalytic Reduction)

### TRANSMISSION

9-speed ZF 9S-1110 over-drive synchromesh with dash mounted gear shift, H over H shift pattern

1st 9.48:1, 2nd 6.58:1, 3rd 4.68:1, 4th 3.48:1, 5th 2.62:1, 6th 1.89:1, 7th 1.35:1, 8th 1.00:1, 9th 0.75:1, Reverse 8.97:1

**Optional Transmission:** Allison S3000 5-speed automatic transmission

### STEERING

**Type:** Power-assisted with gear-driven pump

**Diameter:** 470 mm steering wheel with tilt + telescopic adjustment

### CLUTCH

**Type:** Single dry plate with mechanical/hydraulic release

**Diameter:** 395 mm

### FRONT AXLE & SUSPENSION

IVECO 5871/5

**Capacity:** 7100 kg

**Suspension Type:** Parabolic springs with dual-action hydraulic shock absorbers and stabiliser bar fitted

### REAR AXLE & SUSPENSION

Meritor MS13-165 with differential lock

**Capacity:** 11,500 kg

**Suspension Type:** Quad bellows, rear air bag suspension with dual-action hydraulic shock absorbers and stabiliser bar Electronically Controlled Air Suspension (ECAS) including dual-rear levelling valves.

**Rear Axle Ratio:** 4.10:1 (Manual transmission), 4.3:1 (Allison Automatic transmission)

### BRAKES

**Type:** ESP + ABS + ASR with AEBS (Advanced Emergency Braking System), 2 circuit air system and Hill Holder

**Front / Diameter:** Ventilated disc brakes / 432 mm with floating caliper

**Rear / Diameter:** Ventilated disc brakes / 432 mm with floating caliper

**Parking Brake:** Spring-actuated park brake acting on rear wheels

**Other:** Exhaust brake and air dryer

### FUEL SYSTEM

280 litre square alloy tank and 30 litre AdBlue tank

- Fuel prefilter with water separator

### ELECTRICAL

**Type:** 24 Volt

24 Volt-12 Volt converter in cab

**Alternator Capacity:** 28 Volt, 90 amp

**Starter:** 24 Volt, 4.0 kW

**Battery:** 2 x 12 Volt-170 Ah

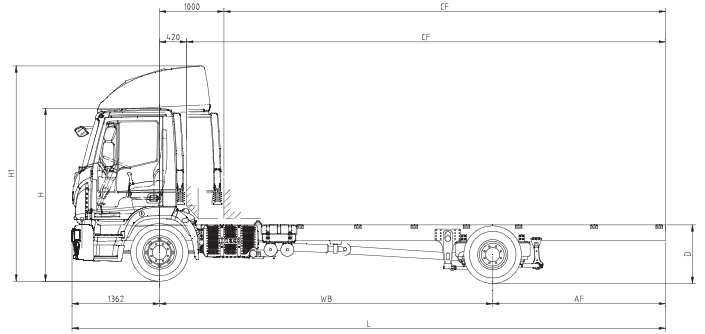
Automatic battery isolation switch

### CHASSIS

**Type:** Bolted parallel channel

**Size:** 277.9 x 80 x 7.7 mm external

**Width:** 855 mm



### WHEELS & TYRES

**Rim Size:** 22.5" x 8.25"

**Tyre Size:** 295/80 R22.5 tubeless radial

**Stud / Pattern:** M22, 10 x 335 mm PCD steel disc rims

### CAB

**Type:** Forward-control (MLC) Day cab treated with anti corrosion protection

**Optional:** (MLL) Sleeper cab low roof with bunk, curtains, reading lamp, roof hatch and one internal and two external lockers

**Bunk Dimensions:** 1900 x 605 x 95 mm

Cab colour bumper

**Front Cab Suspension:** Two coil springs, shock absorbers and torsion bar

**Rear Cab Suspension:** Two units with coils springs. Hydraulic cab tilt to 57 degrees

### FEATURES

- Driver airbag
- ECE R29 compliant cab
- DRL (Daytime Running Lights)
- Sun filter windscreen
- 2 USB plugs
- Cards/coins holder
- Expansion module
- Lift-up front panel for daily checks
- Fully-adjustable Isringhausen driver's air-suspension seat with headrest
- Dual bench-passenger seat with fold-down central oddments tray
- 2 x lap-sash seat belts for outboard positions, 1 x lap seat belt for centre position
- Bluetooth radio, CD player, multi functional steering wheel
- 90-degree opening doors
- Remote Central Locking
- Cruise control
- Stowage compartment in overhead console, both doors and rear cab wall
- 2-speed wipers with intermittent control
- Courtesy and map lamps
- Electric horn
- 12-volt power socket (10 amp)
- Electrically operated driver and passenger side windows
- Aerodynamic, remote-control heated mirrors with a convex, spotter and over-the-kerb mirror on the left-hand side
- ACC (Adaptive Cruise Control) + LDW (Lane Departure Warning)
- Air conditioning

### INSTRUMENTATION

Electronic anti-glare instrument panel

**Gauges:** Speedometer, odometer with trip meter, tachometer, water temperature, fuel level, oil pressure and air pressure

**Warning Lamps:** Power-steering circuit failure, front and rear brake wear, high water temperature, air-cleaner restriction, cab unlatched, low alternator charge, high beam, exterior lights on, hazard warning lights on, low oil pressure, reserve fuel, park brake on, water in pre-filter, brake system failure

**LCD Information Panel:** System diagnostics, lighting system check, AdBlue level indicator, programmable maintenance scheduling, digital clock, trip 1 and 2 computer, fuel consumption indicator and ambient temperature

### OPTIONS:

- High roof on sleeper cab
- Air suspended single passenger seat
- Central office box (with single driver and passenger seat)
- Electric servo assisted cab tilt
- External sun visor

# IVECO

Your partner for sustainable transport