

**ENGINE**

Iveco: Tector F4A E25

**Type:** Turbocharged and intercooled 24-valve four-stroke diesel with high-pressure common-rail electronic injection

**Number of cylinders:** 6

**Displacement:** 5.88 litres

**Bore x stroke:** 102 x 120 mm

**Compression ratio:** 17:1

**Maximum output:** 185 kW (251 hp) @ 2500 rpm

**Maximum torque:** 850 Nm (627 lb/ft) @ 1250-2100 rpm

**Governed speed:** 2700 rpm

**Oil capacity:** 11.6 litres

SCR - Selective Catalytic Reduction

**Emissions standard:** EURO 5

**TRANSMISSION**

ZF 9S-75 TO Over Drive 9 speed synchromesh, Dash Mounted Cable Gear Shift

H over H shift pattern

Crawler gear 9.56:1

1st 6.47:1

2nd 4.72:1

3rd 3.50:1

4th 2.54:1

5th 1.85:1

6th 1.35:1

7th 1.00:1

8th 0.73:1

Reverse 8.53:1

**Option:**

Allison S3000 5 speed automatic transmission

1st 3.49:1

2nd 1.86:1

3rd 4.41:1

4th 1.00:1

5th 0.75:1

Reverse 5.03:1

**CLUTCH**

**Type:** Single-plate asbestos-free push type with air over hydraulic assistance

**Diameter:** 395 mm

**Lining area:** 582 cm<sup>2</sup>

**FRONT AXLE**

Iveco 5860.Narrow track

**Type:** I-beam with oil-filled hubs

**Capacity:** 5100 kg

**REAR AXLE**

Meritor MS10-144

**Type:** Single-reduction fully-floating banjo type

Differential lock standard with manual transmission, option with automatic

**Capacity:** 10600 kg

**Ratio:** 4.63:1 (4.111:1 if Allison transmission is selected)

**FRONT SUSPENSION**

**Type:** Parabolic

Parabolic springs with dual-action hydraulic shock absorbers and stabiliser bar fitted

**REAR SUSPENSION**

**Type:** Air bag, Quad bellows, rear air bag suspension with dual action hydraulic shock absorbers and stabiliser bar

ECAS Electronically Controlled Air Suspension including dual-rear levelling valves

Remote-control operation complete with memory function

**CHASSIS**

**Type:** bolted and riveted parallel channel

**Size:** 253.4 x 70 x 6.7 mm

**Width:** 853 mm

**Yield strength:** 490 MPa

(5.175 m Wheelbase/2.685m Overhang)

Heavy-duty front tow hook

**BRAKES**

**Type:** Full air-brake system with two independent circuits.

377 x 45 mm ventilated front/rear disc brakes with floating calipers (asbestos free)

**ABS:** Four-channel system

Spring-actuated park brake acting on rear wheels

Exhaust brake (three mode)

Air dryer

360 cc air compressor (water cooled)

**Option:**

ESP and ASR if Allison transmission is selected

**STEERING**

**Type:** Integral power-assisted circulating ball with gear-driven pump and integral reservoir

**Ratio:** 20.4

Tilt-adjustable 470 mm diameter steering wheel. Angular 17°

**FUEL SYSTEM**

**Nominal tank capacity:** 280 litres

Fuel prefilter with water separator fitted to chassis

**Ad Blue Tank:** 25 litres, with locking cap

**ELECTRICAL**

**Type:** 24V negative to earth

24V-12V converter in cab

**Alternator capacity:** 28V, 90 amp

**Starter:** 24V, 4.0 kW

**Battery:** 2 x 12V 170 Ah

Automatic battery isolation switch

**WHEELS AND TYRES**

**Wheels:** One-piece steel disc rims

**Stud and pattern:** M22, 8 x 275 mm PCD

**Disc size:** 19.5" x 7.50"

**Tyres:** 285/70R19.5 tubeless radial

**Tyre minimum rating:** 140/138M

Spare located on left-hand side

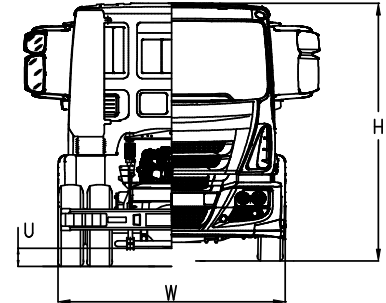
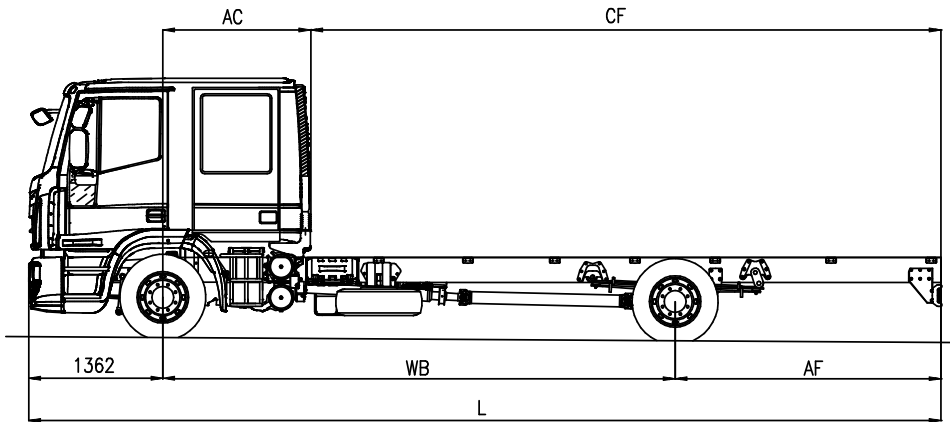
**CAB**

Forward control MLD crew cab

**Construction:** Pressed two-side zinc-coated steel on selected outer panels with electro-cathodic corrosion protection. PP front panels and fenders

Cab Colour Bumper

Suspension – helical springs and dampers. Electrically operated hydraulic tilt to 45 degrees with twin hydraulic rams



### FEATURES

- External sunvisor
- Lift-up front panel for daily checks
- Fully-adjustable Isringhausen driver's air-suspension seat with headrest
- Dual bench-passenger seat with fold-down central oddments tray
- 2 x lap-sash seat belts for outboard positions, 1 x lap seat belt for centre position
- Four man contoured rear seat with seatbelts and head restraints
- AM/FM radio, CD player
- 90-degree opening doors
- Left and right hand entry assist handles
- Remote Central Locking
- Overhead lockers with doors Large storage shelf on passenger side
- Opening roof hatch
- 2-speed wipers with intermittent control
- Courtesy and map lamps
- Electric horn
- 12-volt power socket (10 amp)
- Electrically operated driver and passenger side windows
- Aerodynamic, remote-control heated mirrors with a convex, spotter and over-the-kerb mirror on the left-hand side
- Air conditioning
- Cruise control

### INSTRUMENTATION

Electronic anti-glare instrument panel.  
 Gauges: Speedometer; odometer with trip meter; tachometer; water temperature, fuel level, oil pressure and air pressure.  
 Warning lamps: Power-steering circuit failure, front and rear brake wear; high water temperature, air-cleaner restriction, cab unlatched, low alternator charge, high beam, exterior lights on, hazard warning lights on, low oil pressure, reserve fuel, park brake on, water in pre-filter; brake system failure.  
 LCD information panel: System diagnostics, lighting system check, urea level indicator; programmable maintenance scheduling, digital clock, trip 1&2 computer; fuel consumption indicator; status and driver actuation information and ambient temperature.

### CHASSIS DIMENSIONS (Dimensions in mm)

H	2723
W	2300
WB	5175
AF	2685
CF	6345
AC	1525
L	9232
Turning circle*	18920
U	179

\*Wall-to-wall

### EUROCARGO TARE WEIGHTS

Front Tare	3380kg
Rear Tare	1725kg
Total Tare	5105kg
GVM	14000kg
GCM	14000kg

All weights with oil, coolant, spare wheel and tyre but not fuel. Subject to manufacturer's tolerance of + or -2%.

**IVECO Trucks Australia Limited** A.B.N. 86 004 065 061

Princes Hwy, Dandenong, Victoria 3175

P.O. Box 117 Dandenong, Victoria 3175

Telephone: (03) 9238 2200 Facsimile: (03) 9238 2387

[www.iveco.com.au](http://www.iveco.com.au)