

EUROCARGO MLI60



PERFECT IN EVERY SITUATION

IVECO

EURO CARGO MLI60



VERSATILITY

MANUAL, AUTOMATIC OR AUTOMATED TRANSMISSIONS. DAY OR SLEEPER CAB



HANDLING

SUPERIOR TURNING CIRCLE ECAS AIR SUSPENSION FOR A SMOOTH RIDE



EFFICIENCY

SUPERIOR FUEL EFFICIENCY 80,000KM ENGINE OIL SERVICE INTERVALS



COMFORT & ERGONOMICS

LOW CHASSIS HEIGHT. SPACIOUS CAB WITH NUMEROUS STORAGE COMPARTMENTS. ISRI AIR SUSPENDED DRIVERS SEAT. EASY TO REACH CONTROLS.



SAFETY

AIR BRAKING WITH ABS AND ASR (OPTIONAL)

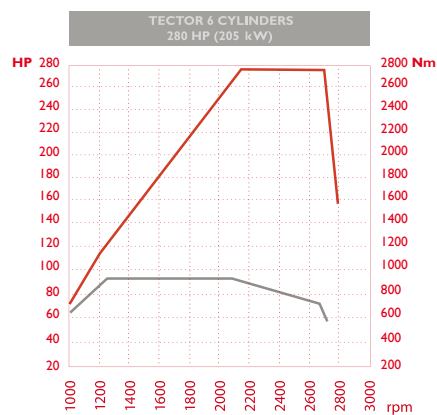


P E R F O R M A N C E

5.88 LITRE IVECO TECTOR EURO 5 ENGINE

HIGH PRESSURE COMMON RAIL ELECTRONIC INJECTION

TURBO CHARGED & INTERCOOLED 24 VALVE FOUR STROKE DIESEL



ENGINE IVECO 5.88 litre 6 cylinder

Maximum output	205 kW (279 hp) @ 2,700 rpm	Governed speed	2,500 rpm
Maximum torque	950 Nm (700 lb/ft) @ 1,250-2,100 rpm	Emission standard	EURO 5
SCR	Selective Catalytic Reduction		



COMFORT & ERGONOMICS

ERGONOMICALLY DESIGNED DASHBOARD,

SUPERIOR COMFORT WITH AIR SUSPENDED ISRI DRIVER'S SEAT

TWO CAB VERSIONS

ADJUSTABLE STEERING WHEEL AND CONTROLS AT YOUR FINGERTIPS



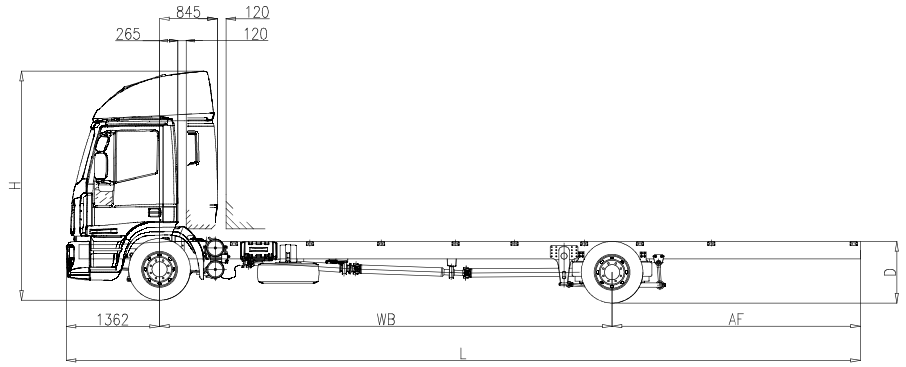
WARRANTY

36 MONTHS* / 250,000 KM / 100% PARTS AND LABOUR

This warranty commences on the earlier of the date of delivery of the truck to the Purchaser or the date of registration of the Vehicle.
This warranty ends on the earliest of the expiry of the duration, kilometres or hours.

Terms and Conditions apply, please see www.iveco.com.au for further details.

EURO CARGO MLI60



CHASSIS DIMENSIONS (mm)

Cab	Sleeper	Day
WB	6570	6570
AF	3605	3605
L	11447	11447
H (Low Roof)	2751	2751
H (High Roof)	3411	3411
D (Unladen)	886	886
Turning Diameter*	22000	22000

*For wall to wall, add 1180mm

TRANSMISSION

ZF 9S-1110 nine-speed over-drive synchromesh transmission with dash mounted gear shift.
Crawler gear 9.48:1
1st 6.58:1
2nd 4.68:1
3rd 3.48:1
4th 2.62:1
5th 1.89:1
6th 1.35:1
7th 1.00:1
8th 0.75:1
Reverse 8.97:1

Optional Transmissions:

Allison S3000 5 speed automatic transmission

STEERING

Type: Power-assisted with gear-driven pump
Tilt-adjustable 470mm diameter steering wheel

CLUTCH

Type: Single-plate push type with air over hydraulic assistance
Diameter: 395mm

FRONT AXLE & SUSPENSION

IVECO 5860
Capacity: 6,100kg
Suspension: Parabolic springs with dual-action hydraulic shock absorbers and stabiliser bar fitted

REAR AXLE & SUSPENSION

Meritor MS10-164
Differential lock standard with manual transmission, option with automatic and automated.

Capacity: 11,100kg
Ratio: 4.10:1

Suspension type: Quad bellows, rear air bag suspension with dual-action hydraulic shock absorbers and stabiliser bar
Electronically Controlled Air Suspension (ECAS) including dual-rear levelling valves

EURO CARGO TARE WEIGHTS

Cab	Sleeper	Day
Wheelbase	6570mm	6570mm
Front Tare	3360kg	3240kg
Rear Tare	1970kg	1960kg
Total Tare	5330kg	5200kg
GVM	16000kg	16000kg
GCM*	16000kg	16000kg

All weights with oil, coolant, spare wheel and tyre but not fuel. Subject to manufacturer's tolerance of + or -2%.

* Higher GCM based on Application Approval.

CHASSIS

Type: Bolted and riveted parallel channel
Size: 255.4 x 70 x 7.7mm external (6.57 m wheelbase)
Width: 855mm

BRAKES

Full air-brake system with two independent circuits. 2 circuit air system with ESP, ASR & ABS
377 x 45mm ventilated front/rear disc brakes with floating calipers
Spring-actuated park brake acting on rear wheels
Exhaust brake
Air dryer

FUEL SYSTEM

1 x 280L square alloy tank
Fuel prefilter with water separator
1 x 25L tank of AdBlue

ELECTRICAL

Type: 24V
24V-12V converter in cab
Alternator capacity: 28V, 90 amp
Starter: 24V, 4.0 kW
Battery: 2 x 12V - 170 Ah
Automatic battery isolation switch

WHEELS & TYRES

Stud and pattern: M22, 8 x 275mm
PCD steel disc rims
Disc size: 19.5" x 8.25"
Tyres: 305/70R19.5 tubeless radial

CAB

Type: Forward-control (MLC) Day cab treated with anti corrosion protection
Cab Colour Bumper
Front Cab Suspension: Two coil springs, shock absorbers and torsion bar
Rear Cab Suspension: Two units with coils springs
Hydraulic cab tilt to 60 degrees.

FEATURES

- External sunvisor
- Lift-up front panel for daily level checks
- Fully-adjustable Isringhausen driver's airsuspension seat with headrest and armrest
- Dual bench-passenger seat with fold-down central oddments tray
- 2 x lap-sash seat belts for outboard positions, 1 x lap seat belt for centre position
- AM/FM radio CD player
- 90-degree opening doors
- Remote Central Locking and desmodromic type keys
- Stowage compartment in overhead console, both doors and rear cab wall
- 2-speed wipers with intermittent control
- Courtesy and map lamps
- Electric horn
- 12-volt power socket (10 amp)
- Electrically operated drive and passenger side windows
- Aerodynamic, remote-control heated mirrors with a convex, spotter and over-the-kerb mirror on the left-hand side
- Air conditioning
- Cruise control

INSTRUMENTATION

Electronic anti-glare instrument panel.
Gauges: Speedometer, odometer with trip meter, tachometer, water temperature, fuel level, oil pressure and air pressure.
Warning lamps: Power-steering circuit failure, front and rear brake wear, high water temperature, air-cleaner restriction, cab unlatched, low alternator charge, high beam, exterior lights on, hazard warning lights on, low oil pressure, reserve fuel, park brake on, water in pre-filter, brake system failure.
LCD information panel: System diagnostics, lighting system check, area level indicator, programmable maintenance scheduling, digital clock, trip 1&2 computer, fuel consumption indicator, status and driver actuation information and ambient temperature.

IVECO