

EUROCARGO ML225



PERFECT IN EVERY SITUATION

IVECO

EURO CARGO ML225



COMFORT & ERGONOMICS

LOW CHASSIS HEIGHT.
SPACIOUS CAB WITH NUMEROUS
STORAGE COMPARTMENTS.
ISRI AIR SUSPENDED DRIVERS SEAT.
EASY TO REACH CONTROLS.



HANDLING

SUPERIOR TURNING CIRCLE
ECAS AIR SUSPENSION
FOR A SMOOTH RIDE



EFFICIENCY

SUPERIOR FUEL EFFICIENCY
80,000KM ENGINE OIL
SERVICE INTERVALS



VERSATILITY

MANUAL, AUTOMATIC OR
AUTOMATED TRANSMISSIONS.
DAY OR SLEEPER CAB



SAFETY

AIR BRAKING
WITH ABS AND ASR
(OPTIONAL)

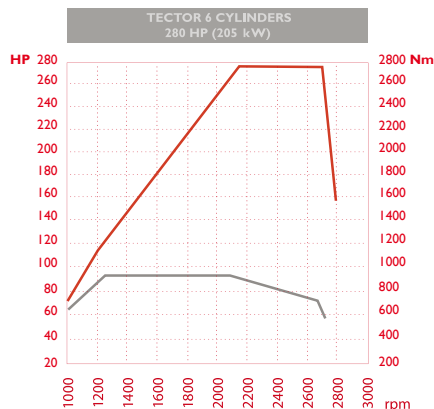


PERFORMANCE

5.88 LITRE IVECO TECTOR EURO 5 ENGINE

HIGH PRESSURE COMMON RAIL ELECTRONIC INJECTION

TURBO CHARGED & INTERCOOLED 24 VALVE FOUR STROKE DIESEL



ENGINE IVECO 5.88 litre 6 cylinder

Maximum output 205 kW (279 hp) @ 2,700 rpm

Maximum torque 950 Nm (700 lb/ft) @ 1,250-2,100 rpm

SCR Selective Catalytic Reduction

Governed speed

2,500 rpm

Emission standard

EURO 5



COMFORT & ERGONOMICS

ERGONOMICALLY DESIGNED DASHBOARD,

SUPERIOR COMFORT WITH AIR SUSPENDED ISRI DRIVER'S SEAT

TWO CAB VERSIONS

ADJUSTABLE STEERING WHEEL AND CONTROLS AT YOUR FINGERTIPS



WARRANTY

36 MONTHS* / 250,000 KM / 100% PARTS AND LABOUR

This warranty commences on the earlier of the date of delivery of the truck to the Purchaser or the date of registration of the Vehicle.
This warranty ends on the earliest of the expiry of the duration, kilometres or hours.

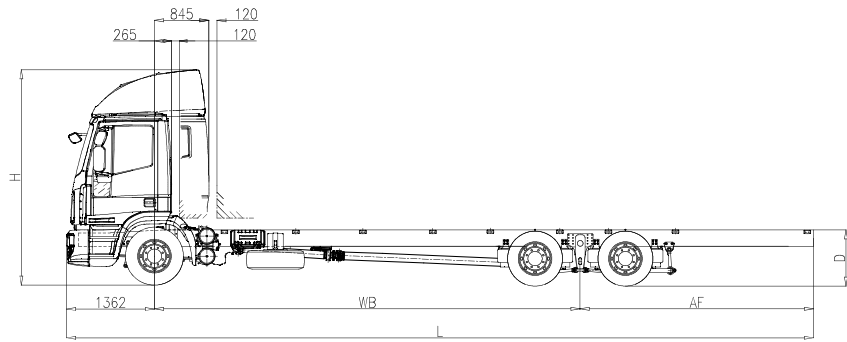
Terms and Conditions apply, please see www.iveco.com.au for further details.

EUROCARGO ML225

CHASSIS DIMENSIONS (mm)

Cab	Sleeper	Day	Day
WB	6540	5870	6540
AF	3525	3475	3525
L	11427	10707	11427
H (low roof)	2751	2751	2751
H (high roof)	3411	3411	3411
D	921	921	921
Turning Circle*	22340	20040	22340
Rear Ground Clearance	154	154	154

*Wall to wall, add 1180 mm



TRANSMISSION

ZF 9S-1110 nine-speed over-drive synchromesh transmission with dash mounted gear shift, H over H shift pattern Crawler gear 9.48:1

1st 6.58:1

2nd 4.68:1

3rd 3.48:1

4th 2.62:1

5th 1.89:1

6th 1.35:1

7th 1.00:1

8th 0.75:1

Reverse 8.97:1

Optional Transmissions:

Allison S3000 5 speed automatic transmission

STEERING

Type: Power-assisted with gear-driven pump

Tilt-adjustable 470mm diameter steering wheel

CLUTCH

Type: Single-plate push type with air over hydraulic assistance

Diameter: 395mm

FRONT AXLE & SUSPENSION

IVECO 5860

Capacity: 6,100kg

Suspension: Parabolic springs with dual-action hydraulic shock absorbers and stabiliser bar fitted

TRAILING AXLE

Fuwa K-Hitch - KH7016

Capacity: 11,100kg

REAR AXLE & SUSPENSION

Meritor MS10-164 Differential lock standard with manual transmission, option with automatic or automated.

Capacity: 11,100kg

Ratio: 4.10:1

Suspension type: Air bag

Suspension type: Quad bellows, rear air bag suspension with dual-action hydraulic shock absorbers and stabiliser bar Electronically Controlled Air Suspension (ECAS) including dual-rear levelling valves.

CHASSIS

Type: Bolted and riveted parallel channel

Size: 255.4 x 70 x 7.7mm external

Width: 855mm

EUROCARGO TARE WEIGHTS

Cab	Sleeper	Sleeper (high roof)	Day	Day
Wheelbase	6540mm	6540mm	5870mm	6540mm
Front Tare	3394kg	3468kg	2927kg	3107kg
Rear Tare	2922kg	2922kg	2921kg	3137kg
Total Tare	6316kg	6390kg	5848kg	6244kg
GVM	22500kg	22500kg	22500kg	22500kg
GCM*	22500kg	22500kg	22500kg	22500kg

All weights with oil, coolant, spare wheel and tyre but not fuel. Subject to manufacturer's tolerance of + or -2%.

* Higher GCM based on Application Approval.

BRAKES

Full air-brake system with two independent circuits. 2 circuit air system with ESP & ABS 377 x 45mm ventilated front/rear disc brakes with floating calipers Spring-actuated park brake acting on rear wheels Exhaust brake Air dryer

FUEL SYSTEM

1 x 280L square alloy tank Fuel prefilter with water separator 1 x 25L tank of AdBlue

ELECTRICAL

Type: 24V

24V-12V converter in cab

Alternator capacity: 28V, 90 amp

Starter: 24V, 4.0 kW

Battery: 2 x 12V - 170 Ah

Automatic battery isolation switch

WHEELS & TYRES

Stud and pattern: M22, 8 x 275mm

PCD steel disc rims

Disc size: 19.5" x 8.25"

Tyres: 305/70R19.5 tubeless radial

CAB

Type: Forward-control (MLC) Day cab

treated with anti corrosion protection

Cab Colour Bumper

Front Cab Suspension: Two coil

springs, shock absorbers and torsion bar

Rear Cab Suspension: Two units

with coils springs

Hydraulic cab tilt to 60 degrees.

FEATURES

- External sunvisor
- Lift-up front panel for daily level checks
- Fully-adjustable Isringhausen driver's air suspension seat with headrest and armrest
- Dual bench-passenger seat with fold-down central oddments tray

- 2 x lap-sash seat belts for outboard positions, 1 x lap seat belt for centre position
- AM/FM radio CD player
- 90-degree opening doors
- Remote Central Locking and desmodromic type keys
- Stowage compartment in overhead console, both doors and rear cab wall
- 2-speed wipers with intermittent control
- Courtesy and map lamps
- Electric horn
- 12-volt power socket (10 amp)
- Electrically operated drive and passenger side windows
- Aerodynamic, remote-control heated mirrors with a convex, spotter and over-the-kerb mirror on the left-hand side
- Air conditioning
- Cruise control

Option 1:

- (MLL) Sleeper cabin
- ADR-compliant, fully-finished sleeper cab with bunk (option to remove), curtains, reading lamp, roof hatch and one internal and two external lockers.
- Bunk dimensions: 1900 x 605 x 95mm

INSTRUMENTATION

Electronic anti-glare instrument panel.

Gauges: Speedometer, odometer with trip meter, tachometer, water temperature, fuel level, oil pressure and air pressure.

Warning lamps: Power-steering circuit failure, front and rear brake wear, high water temperature, air-cleaner restriction, cab unlatched, low alternator charge, high beam, exterior lights on, hazard warning lights on, low oil pressure, reserve fuel, park brake on, water in pre-filter, brake system failure.

LCD information panel: System diagnostics, lighting system check, area level indicator, programmable maintenance scheduling, digital clock, trip 1&2 computer, fuel consumption indicator, status and driver actuation information and ambient temperature.

IVECO