

EUROCARGO ML160
PERFECT IN EVERY SITUATION



IVECO

Your partner for sustainable transport

EURO CARGO

SPECIFICATIONS MLI60

DIMENSIONS (mm)

Cab	Day	Day	Sleeper
WB	5670	6570	6570
AF	3000	3605	3605
L	10032	11537	11537
CF	8250	9755	9175
H(unladen)	2759	2759	2759
HI(unladen)	-	-	3419
D(unladen)	899	899	899
Turning circle* (kerb to kerb)	19260	22000	22000

* For wall to wall, add 1180mm

MASS (kg)

Cab	Day	Day	Sleeper
Kerb mass front axle	3271	3304	3414
Kerb mass rear axle	1848	1905	1925
Kerb mass total**	5119	5209	5339
GVM	16T	16T	16T
GCM	N/A	N/A	N/A

** Approximate only with low roof cab chassis with oil and coolant, full fuel without driver

ENGINE

- IVECO Tector 7 (6.7ltr 6 cylinder)

Type: High pressure common rail electronic injection, turbo charged and intercooled 24 valve four stroke diesel

Maximum Output: 280 hp (206 kW) @ 2,500 rpm

Maximum Torque: 1,000 Nm (738 lb/ft) @ 1,250 rpm

Governed Speed: 2,500 rpm

Emission Standard: Euro VI SCR (Selective Catalytic Reduction)

TRANSMISSION

ZF 9S-1110 nine-speed over-drive synchromesh transmission with dash mounted gear shift.

1st 9.48:1, 2nd 6.58:1, 3rd 4.68:1, 4th 3.48:1, 5th 2.62:1, 6th 1.89:1, 7th 1.35:1, 8th 1.00:1, 9th 0.75:1, Reverse 8.97:1

Optional Transmissions: Allison S3000 5 speed automatic transmission

STEERING

Type: Power-assisted with gear-driven pump

Tilt-adjustable 470mm diameter steering wheel

CLUTCH

Type: Single dry plate with mechanical / hydraulic release

Diameter: 395mm

FRONT AXLE & SUSPENSION

IVECO 5860

Capacity: 6,100kg

Suspension: Parabolic springs with dual-action hydraulic shock absorbers and stabiliser bar fitted

REAR AXLE & SUSPENSION

Meritor MS10-164

Differential lock

Capacity: 11,000kg

Ratio: 4.10:1 (Manual transmission), 4.3:1 (Allison Automatic transmission)

Suspension: Quad bellows, rear air bag suspension with dual-action hydraulic shock absorbers and stabiliser bar. Electronically Controlled Air Suspension (ECAS) including dual-rear levelling valves

CHASSIS

Type: Bolted parallel channel

Size: 255.4 x 70 x 7.7mm external (6.57 m wheelbase)

Width: 855mm

BRAKES

- 2 circuit air system with ABS, ASR, ESP, Hill Holder, AEBS (Advanced Emergency Braking System)
- 377 x 45mm ventilated front/rear disc brakes with floating calipers
- Spring-actuated park brake acting on rear wheels
- Exhaust brake
- Air dryer

FUEL SYSTEM

- 1 x 280L square alloy tank
- Fuel prefilter with water separator
- 1 x 30L tank of AdBlue

ELECTRICAL

Type: 24V

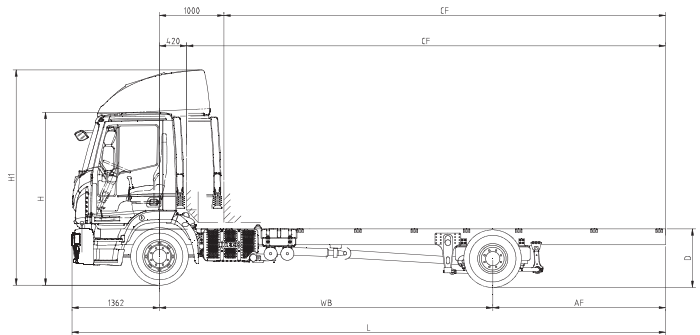
24V-12V converter in cab

Alternator capacity: 28V, 90 amp

Starter: 24V, 4.0 kW

Battery: 2 x 12V - 170 Ah

Automatic battery isolation switch



WHEELS & TYRES

Stud and pattern: M22, 8 x 275mm PCD steel disc rims

Rim size: 19.5" x 8.25"

Tyres: 305/70R19.5 tubeless radial

CAB

Type: Forward-control (MLC) Day cab treated with anti corrosion protection

Option: (MLL) Sleeper cab low roof with bunk, curtains, reading lamp, roof hatch and two internal and one external lockers

Bunk dimensions: 1900 x 605 x 95mm

Cab colour bumper

Front Cab Suspension: Two coil springs, shock absorbers and torsion bar

Rear Cab Suspension: Two units with coils springs. Hydraulic cab tilt to 57 degrees.

FEATURES

- Driver airbag
- ECE R29 compliant cab
- DRL (Daytime Running Lights)
- Sun filter windscreen
- 2 USB plugs
- Cards/coins holder
- Expansion module
- Lift-up front panel for daily checks
- Fully-adjustable Isringhausen driver's air-suspension seat with headrest
- Dual bench-passenger seat with fold-down central oddsments tray
- 2 x lap-sash seat belts for outboard positions, 1 x lap seat belt for centre position
- Bluetooth radio, CD player, multi functional steering wheel
- 90-degree opening doors
- Remote Central Locking
- Cruise control
- Stowage compartment in overhead console, both doors and rear cab wall
- 2-speed wipers with intermittent control
- Courtesy and map lamps
- Electric horn
- 12-volt power socket (10 amp)
- Electrically operated driver and passenger side windows
- Aerodynamic, remote-control heated mirrors with a convex, spotter and over-the-kerb mirror on the left-hand side
- Air conditioning

INSTRUMENTATION

Electronic anti-glare instrument panel.

Gauges: Speedometer, odometer with trip meter, tachometer, water temperature, fuel level, oil pressure and air pressure.

Warning lamps: Power-steering circuit failure, front and rear brake wear, high water temperature, air-cleaner restriction, cab unlatched, low alternator charge, high beam, exterior lights on, hazard warning lights on, low oil pressure, reserve fuel, park brake on, water in pre-filter, brake system failure.

LCD information panel: System diagnostics, lighting system check, area level indicator, programmable maintenance scheduling, digital clock, trip 1 and 2 computer, fuel consumption indicator, status and driver actuation information and ambient temperature.

OPTIONS:

- LDW (Lane Departure Warning)
- ACC (Adaptive Cruise Control)
- High roof on sleeper cab
- Air suspended single passenger seat
- Central office box (with single driver and passenger seat)
- Group backwards (only with chassis mounted air filter)
- Servo assisted cab tilt
- External sun visor

IVECO

Your partner for sustainable transport