

EUROCARGO MLI20  
**PERFECT IN EVERY SITUATION**



**IVECO**

Your partner for sustainable transport

# EURO CARGO

## SPECIFICATIONS MLI20

### DIMENSIONS (mm)

Cab	Day	Sleeper
VWB	5175	5670
AF	2685	3000
L	9222	10032
CF	7440	7670
H(unladen)	2673	2673
HI(unladen)	-	3333
D(unladen)	898	898
Turning circle* (kerb to kerb)	17740	19260

\* For wall to wall, add 1180mm

### MASS (kg)

Cab	Day	Sleeper
Kerb mass front axle	3174	3292
Kerb mass rear axle	1609	1676
Kerb mass total**	4783	4968
GVM	12T	12T
GCM	N/A	N/A

\*\* Approximate only with low roof cab chassis with oil and coolant, full fuel without driver

### ENGINE

- IVECO Tector 7 (6.7ltr 6 cylinder)

**Type:** High pressure common rail electronic injection, turbo charged and intercooled 24 valve four stroke diesel

**Maximum Output:** 250 hp (185 kW) @ 2,500 rpm

**Maximum Torque:** 850 Nm (627 lb/ft) @ 1,250 rpm

**Governed Speed:** 2,500 rpm

**Emission Standard:** Euro VI SCR (Selective Catalytic Reduction)

### TRANSMISSION

ZF 9S 75 TO, 9 speed manual transmission

1st 9,56 : 1, 2nd 6,47 : 1, 3rd 4,72 : 1, 4th 3,50 : 1, 5th 2,54 : 1, 6th 1,85 : 1, 7th 1,35 : 1, 8th 1,00 : 1, 9th 0,73 : 1, Reverse 8,53 : 1

**Optional Transmissions:** Allison S3000 5 speed automatic transmission

### STEERING

**Type:** Power-assisted with gear-driven pump

Tilt-adjustable 470mm diameter steering wheel

### CLUTCH

**Type:** Single dry plate with mechanical / hydraulic release

**Diameter:** 395mm

### FRONT AXLE & SUSPENSION

IVECO 5860

**Capacity:** 4,480kg

**Suspension:** Parabolic springs with dual-action hydraulic shock absorbers and stabiliser bar fitted

### REAR AXLE & SUSPENSION

Meritor MS10-144

Differential lock

**Capacity:** 8,480kg

**Ratio:** 3,90:1 (Manual transmission), 4,11:1 (Allison Automatic transmission)

**Suspension:** Two bellows, rear air bag suspension with dual shock absorbers. Electronically Controlled Air Suspension (ECAS) including dual-rear levelling valves

### CHASSIS

**Type:** Bolted parallel channel

**Size:** 253.4 x 70 x 6.7mm

**Width:** 853mm

### BRAKES

- 2 circuit air system with ABS, ASR, ESP, Hill Holder, AEBS (Advanced Emergency Braking System)
- 377 x 45mm ventilated front/rear disc brakes with floating calipers
- Spring-actuated park brake acting on rear wheels
- Exhaust brake
- Air dryer

### FUEL SYSTEM

- 1 x 280L square alloy tank
- Fuel prefilter with water separator
- 1 x 30L tank of AdBlue

### ELECTRICAL

**Type:** 24V

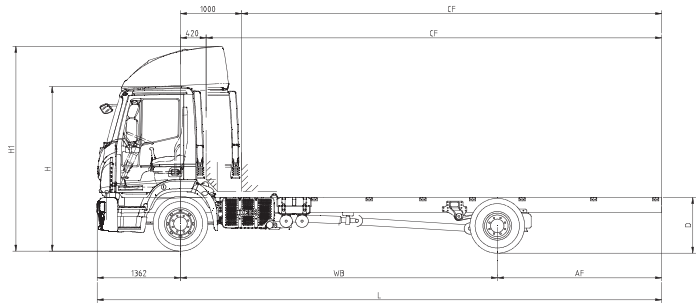
24V-12V converter in cab

**Alternator capacity:** 28V, 90 amp

**Starter:** 24V, 4,0 kW

**Battery:** 2 x 12V - 170 Ah

Automatic battery isolation switch



### WHEELS & TYRES

**Stud and pattern:** M22, 8 x 275mm PCD steel disc rims

**Rim size:** 19.5" x 6.75"

**Tyres:** 265/70R19.5 tubeless radial

### CAB

**Type:** Forward-control (MLC) Day cab treated with anti corrosion protection

**Option:** (MLL) Sleeper cab low roof with bunk, curtains, reading lamp, roof hatch and two internal and one external lockers

**Bunk dimensions:** 1900 x 605 x 95mm

Cab colour bumper

**Front Cab Suspension:** Two coil springs, shock absorbers and torsion bar

**Rear Cab Suspension:** Two units with coils springs. Hydraulic cab tilt to 57 degrees.

### FEATURES

- Driver airbag
- ECE R29 compliant cab
- DRL (Daytime Running Lights)
- Sun filter windscreen
- 2 USB plugs
- Cards/coins holder
- Expansion module
- Lift-up front panel for daily checks
- Fully-adjustable Isringhausen driver's air-suspension seat with headrest
- Dual bench-passenger seat with fold-down central oddments tray
- 2 x lap-sash seat belts for outboard positions, 1 x lap seat belt for centre position
- Bluetooth radio, CD player, multi functional steering wheel
- 90-degree opening doors
- Remote Central Locking
- Cruise control
- Stowage compartment in overhead console, both doors and rear cab wall
- 2-speed wipers with intermittent control
- Courtesy and map lamps
- Electric horn
- 12-volt power socket (10 amp)
- Electrically operated driver and passenger side windows
- Aerodynamic, remote-control heated mirrors with a convex, spotter and over-the-kerb mirror on the left-hand side
- Air conditioning

### INSTRUMENTATION

Electronic anti-glare instrument panel.

**Gauges:** Speedometer, odometer with trip meter, tachometer, water temperature, fuel level, oil pressure and air pressure.

**Warning lamps:** Power-steering circuit failure, front and rear brake wear, high water temperature, air-cleaner restriction, cab unlatched, low alternator charge, high beam, exterior lights on, hazard warning lights on, low oil pressure, reserve fuel, park brake on, water in pre-filter, brake system failure.

**LCD information panel:** System diagnostics, lighting system check, area level indicator, programmable maintenance scheduling, digital clock, trip 1 and 2 computer, fuel consumption indicator and ambient temperature.

### OPTIONS:

- LDW (Lane Departure Warning)
- ACC (Adaptive Cruise Control)
- High roof on sleeper cab
- Air suspended single passenger seat
- Central office box (with single driver and passenger seat)
- Group backwards (only with chassis mounted air filter)
- Servo assisted cab tilt
- External sun visor

# IVECO

Your partner for sustainable transport