

COMPACT TRACK LOADER



Specifications

Operating Weight	8972 lb (4070 kg)
Tipping Load	6200 lb (2812 kg)
Ground Pressure	3.5 psi (24.1 kPa)
Gross Engine Power	83 hp (62 kW)

Features

- ▶ Multi-level suspension for exceptional traction and operator comfort.
- ▶ Easy operation with pilot-operated joystick controls and comfortable easy access operator station.
- ▶ Two-speed hydrostatic drive system offers fast travel speed and high torque work speed.
- ▶ Standard auxiliary hydraulics and hydraulic quick coupler attach easily to a wide range of industry-standard attachments.

WORKS FOR YOU.™

SPECIFICATIONS

OPERATING SPECIFICATIONS

Operating Weight	8972 lb (4070 kg)
Shipping Weight	8060 lb (3656 kg)
Ground Pressure @ Operating Weight	3.5 psi (24.1 kPa)
Tipping Load	6200 lb (2812 kg)
Operating Capacity 50% Tipping Load	3100 lb (1406 kg)
Operating Capacity 35% Tipping Load	2170 lb (984 kg)
Travel Speed Low Range	0-7 mph (11 kph)
Travel Speed High Range	0-12.5 mph (20 kph)

ENGINE

Type	Diesel 4-cylinder turbocharged
Model	Perkins 804D-33T
Displacement	202 in ³ (3.3 L)
Gross Power Rating @ 2800 rpm	83 hp (62 kW)
Torque Peak	195.5 lb-ft (265 Nm)
Cooling System	Engine-driven fan and coolant/anti-freeze-filled radiator
Engine Block Heater	Standard AC plug-in type
Intake Air Cleaner	Dual stage
Emission Controls	Meets all U.S. EPA Tier 3 standards

UNDERCARRIAGE

Track Type: General purpose track constructed of rubber compound with embedded co-polymer cords and all-purpose treads. Three rows of track drive lugs molded in. Turf Track with smooth tread available as an option.

Track Width	Standard - 18 in (457 mm) Optional - 20 in (508 mm)
Length of Track On Ground	71 in (1803 mm)
Ground Contact Area	2556 in ² (1.65 m ²)
Ground Contact Area Optional Track	2840 in ² (1.83 m ²)
Drive System	Two hydrostatic direct drive sprockets controlled by a single joystick
Track Drive Sprocket	Elevated with low friction replaceable sprocket rollers
Undercarriage Suspension	Two independent torsion axles per undercarriage
Roller Wheels: 24 high-density polyurethane and rubber wheels per track. Wheel bearings protected by metal-faced seals.	
Roller Wheel Diameter	Front wheels - 15 in (381 mm) Other wheels - 10 in (254 mm)

SERVICE CAPACITIES

Fuel Tank	18 gal (68 L)
Hydraulic Tank	21 gal (79 L)
Engine Coolant/Antifreeze	3 gal (12 L)
Engine Oil Including Filter	9 quarts (8.52 L)



AUXILIARY HYDRAULIC SYSTEM

Pump capacity	Low: Variable from 0-17.4 gpm (65.9 lpm) High: 30 gpm (113.6 lpm)
System pressure, max.	3,000 psi (20 670 kPa)
Controls	Intermittent via joystick button or continuous via console switch, mode selectable via dash-mounted switch
Couplers	Push-to-connect quick couplers mounted on loader arms. Pressure relief valve mounted to coupler block.
Cooling system	High efficiency side-by-side radiator and oil cooler

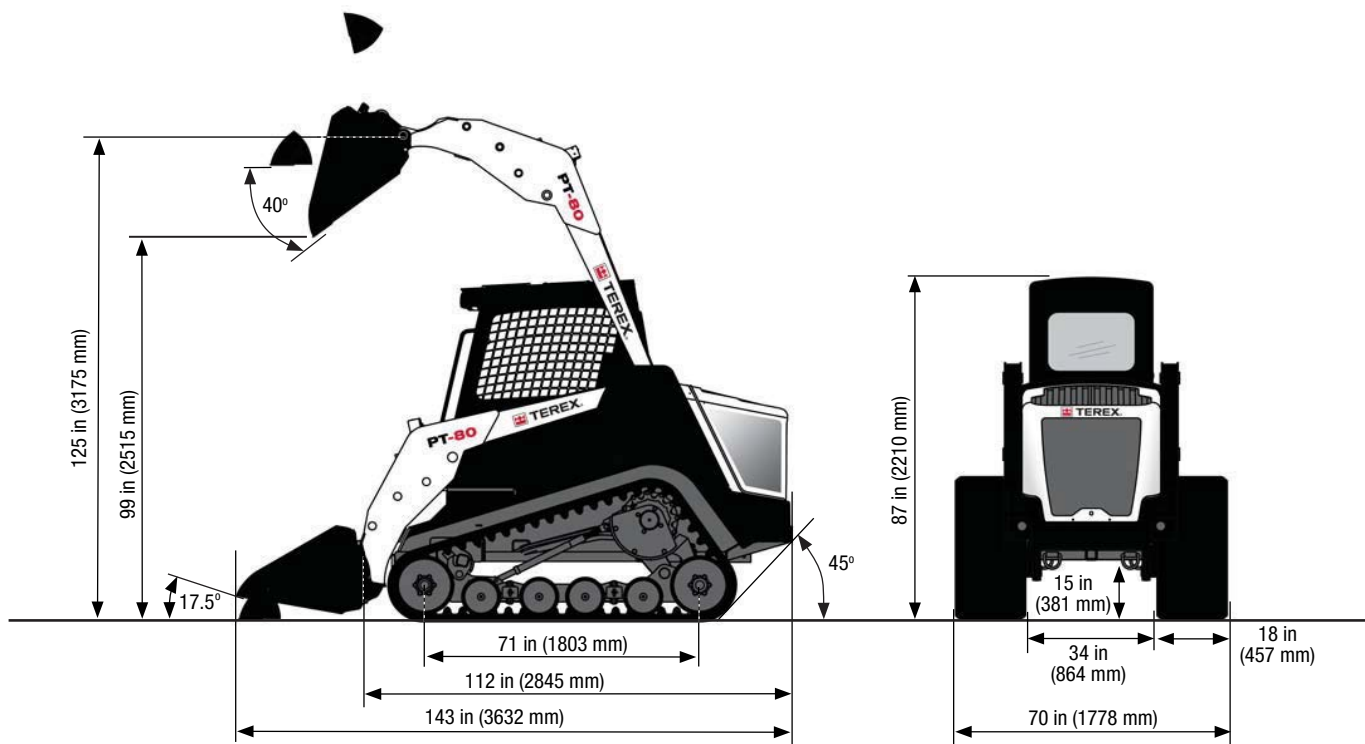
ELECTRICAL SYSTEM

Nominal charge	12 V
Battery	950 CCA
Charging system	90 amp alternator
Outlets	1-12 V port inside operator station
Wiring	Pre-wired for all factory-available accessories

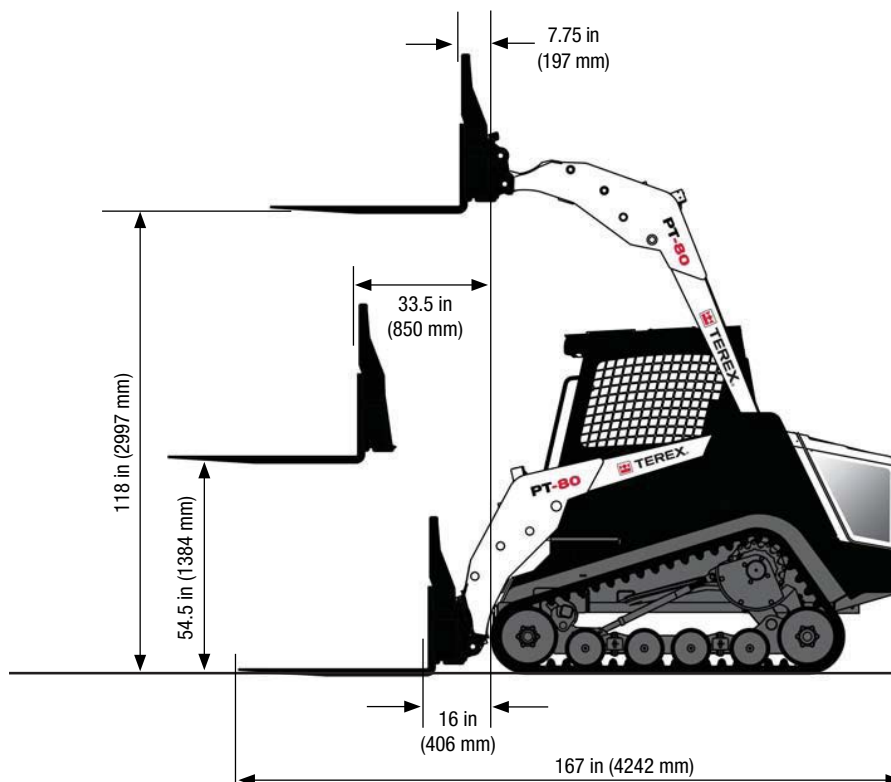
OPERATOR STATION

Seat: Adjustable contour vinyl seat with built-in operator presence switch and 3-inch (76 mm) wide seat belt.	
Loader Control: Right-hand pilot hydraulic joystick controls loader lift/lower and tilt, plus intermittent control of auxiliary hydraulic.	
Drive Control: Left-hand pilot hydraulic joystick controls machine speed and direction.	
Engine Speed	Foot pedal
Indicators/ Gauges	Engine Oil Low-Pressure Light Hydraulic Oil High-Temperature Light Engine High-Temperature Light Low Battery Voltage Light Tachometer Hour Meter Fuel Gauge
ROPS	Meets SAE J1040 MAY94, ISO 3471:1994
FOPS	Meets SAE J1043 SEPT87, ISO 3449:1992
Illumination	4 - Fixed forward-facing halogen lights 1 - Adjustable rear-facing halogen light 1 - Interior light
Convenience	12 V power port

DIMENSIONS: GENERAL PURPOSE BUCKET



DIMENSIONS: PALLET FORK ATTACHMENT



www.terex.com

Effective Date: March 2011. Product specifications and prices are subject to change without notice or obligation. The photographs and/or drawings in this document are for illustrative purposes only. Refer to the appropriate Operator's Manual for instructions on the proper use of this equipment. Failure to follow the appropriate Operator's Manual when using our equipment or to otherwise act irresponsibly may result in serious injury or death. The only warranty applicable to our equipment is the standard written warranty applicable to the particular product and sale and Terex makes no other warranty, express or implied. Products and services listed may be trademarks, service marks, or trade names of Terex Corporation and/or its subsidiaries in the USA and other countries. All rights are reserved. Terex is a registered trademark of Terex Corporation in the USA and many other countries. © 2011 Terex Corporation.

Terex Construction 8800 Rostin Road, Southaven, MS 38671 USA
Tel +1 (888) 90-TEREX www.terex.com



TEREX®

WORKS FOR YOU.™

PT80 032011v1 PN 280105AUS