



# SPECIFICATIONS

## OPERATING SPECIFICATIONS

Loader Arms	Radial
Operating Weight	9180 lb   4163 kg
Shipping Weight	8400 lb   3818 kg
Ground Pressure @ Operating Weight	3.6 psi   24.8 kPa
Tipping Load	7571 lb   3434 kg
Rated Operating Capacity (35% of Tipping Load)	2650 lb   1200 kg
Operating Capacity (50% of Tipping Load)	3786 lb   1721 kg
Travel Speed, Low Range	0-6.3 mph   10.5 kph
Travel Speed, High Range	0-9.3 mph   14.9 kph
Bucket Breakout Force	5800 lb   25.8 kN

## ENGINE

Type	Diesel, 4-cylinder, intercooled turbo
Model	Cummins QSF2.8
Displacement	171 in <sup>3</sup>   2.8 L
Gross Power Rating @ 2800 rpm	74 hp   55.1 kW
Torque, Peak	221 lb-ft   300 Nm
Cooling System	Hydraulically-driven fan and coolant/anti-freeze-filled radiator
Intake Air Cleaner	Dual stage
Emission Controls	Meets all U.S. EPA Tier 4 Final standards

## UNDERCARRIAGE

Track Type: General purpose track constructed of rubber compound with embedded co-polymer cords and all-purpose treads. Three rows of track drive lugs molded in.

Track Width	Standard = 18 in   457 mm Optional = 20 in   508 mm
Length of Track on Ground	71 in   1803 mm
Ground Contact Area	Standard = 2556 in <sup>2</sup>   1.65 m <sup>2</sup> Optional = 2840 in <sup>2</sup>   1.83 m <sup>2</sup>
Drive System	Two hydrostatic direct drive sprockets controlled by a single joystick
Track Drive Sprocket	Elevated with low friction, replaceable sprocket rollers
Undercarriage Suspension	Two independent torsion axles per undercarriage
Roller Wheels:	24 high-density polyurethane and rubber wheels per track. Wheels include sealed bearings
Roller Wheel Diameter	Front wheels - 15 in   381 mm Other wheels - 10 in   254 mm

## AUXILIARY HYDRAULIC SYSTEM

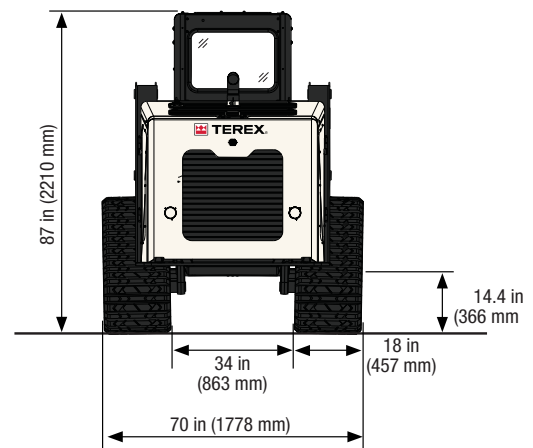
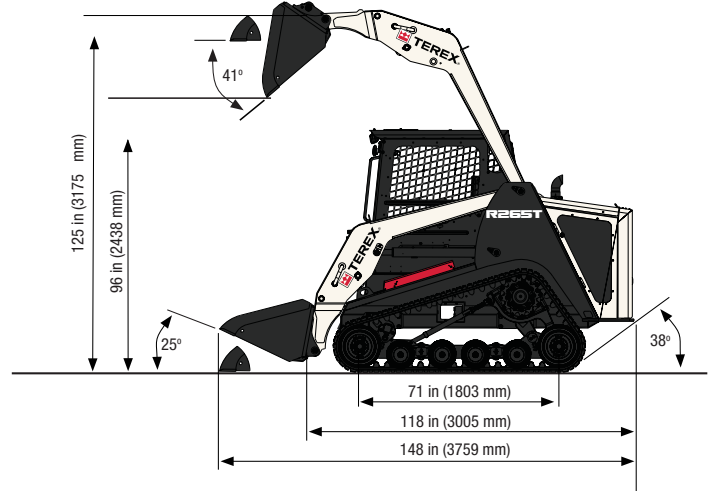
Pump Capacity (Standard)	22.6 gpm   91.4 lpm
Pump Capacity (High Flow)	35.7 gpm   144.4 lpm
System Pressure, Max.	3300 psi   22,737 kPa
Controls	Intermittent via joystick button or continuous via console switch, mode selectable via dash-mounted switch
Couplers	Push-to-connect quick couplers mounted on loader arms. Pressure relief valve mounted to coupler block.
Cooling System	High efficiency side-by-side radiator and oil cooler

**RATED OPERATING CAPACITY - 2650 LBS | 1200 KG**

# COMPACT TRACK LOADER

**R265T**

## DIMENSIONS



**WORKS FOR YOU.™**



# TEREX®

**RATED OPERATING CAPACITY - 2650 LBS | 1200 KG**

# COMPACT TRACK LOADER

## R265T

### ELECTRICAL SYSTEM

Nominal Charge	12 V
Battery	950 CCA
Charging System	120 amp alternator
Outlets	1-12 V port inside operator station
Wiring	Pre-wired for all factory-available accessories

### OPERATOR STATION

Seat: Adjustable contour vinyl seat with built-in operator presence switch, lap bar and 2-inch   51 mm wide seat belt	
Loader Control: Right-hand pilot hydraulic joystick controls loader lift/lower and tilt, plus intermittent control of auxiliary hydraulic	
Drive Control: Left-hand pilot hydraulic joystick controls machine speed and direction	
Engine Speed	Hand-operated throttle
Multi-functional Display/Indicators	Engine oil pressure Hydraulic oil temperature Engine temperature Battery voltage Hour meter Fuel gauge Tripmeter Tachometer
ROPS	Meets ISO 6683: 2005 and ISO 3471: 2008
FOPS	Meets SAE J386: 2006-2 and ISO 3449: 2005
Illumination	2 - Adjustable forward-facing halogen lights 2 - Fixed rear-facing halogen lights 1 - Interior light
Convenience	12 V power port
Horn	
Backup Alarm	

### SERVICE CAPACITIES

Fuel tank	18.4 gal   69.7 L
Hydraulic tank	8 gal   30.3 L
Engine coolant/antifreeze	5.5 gal   20.6 L
Engine oil, including filter	9 quarts   8.5 L

### OPTIONAL ATTACHMENTS

Auger Drive And Bits	Grapple Bucket
Backhoe	Pallet Forks
Broom, Rotary	Power Box Rake
Bucket, General Purpose	Snow Blade
Bucket, Light Material	Snow Blower
Bucket, Multi-Purpose	Stump Grinder
Brush Cutter, Rotary	Trencher
Dozer Blade	Vibratory Roller
Eliminator Rake	

### MACHINE OPTIONS

Cab enclosure with wiper	Cab enclosure with heater, insulation, wiper
Beacon, rotating	Front door, polycarbonate
Suspension seat, adjustable	Windows, side, sliding
20-inch Tracks	Seat belt, 3-inch   76 mm wide
Ride Control	Attachement control kit - 8 pin electrical connector
LED Lights - 4 front, 2 rear	Bucket Positioning
Engine block heater: recommended for the applications ≤ 32° F/0° C	High Flow

#### Terex Construction

8800 Rostin Road  
Southaven, MS 38671 USA  
Tel +1 (888) 90-TEREX  
www.terex.com/construction

#### Distributed By:

[www.terex.com/construction](http://www.terex.com/construction)

Effective Date: August 2015. Rated Operating Capacity and Tipping Load specifications measured with foundry bucket. Product specifications and prices are subject to change without notice or obligation. The photographs and/or drawings in this document are for illustrative purposes only. Refer to the appropriate Operator's Manual for instructions on the proper use of this equipment. Failure to follow the appropriate Operator's Manual when using our equipment or to otherwise act irresponsibly may result in serious injury or death. The only warranty applicable to our equipment is the standard written warranty applicable to the particular product and sale and Terex makes no other warranty, express or implied. © 2014 Terex Construction. Terex, the

Terex Crown design and Works For You are trademarks of Terex Corporation or its subsidiaries.