

S T R A L I S AS-L SERIES II



T H E C O M F O R T A B L E C H O I C E

IVECO

STRALIS AS-L SERIES II



SAFETY

- 3 POINTS OF CONTACT FOR EASY ENTRY AND EGRESS
- DISC BRAKES WITH ABS
- ANTI SLIP REGULATOR (ASR)
- FRONT UNDERRUN PROTECTION



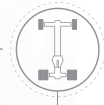
COMFORT

- 2489MM WIDE CAB WITH INTEGRATED SLEEPER CAB
- PNEUMATICALLY CONTROLLED ADJUSTABLE STEERING COLUMN
- LEATHER DRIVER SEAT AND LEATHER SWIVEL PASSENGER SEAT
- LOWER & UPPER SLEEPER BUNKS



PRODUCTIVITY

- SUPERIOR FUEL EFFICIENCY
- AUTOMATED TRANSMISSION FOR OPTIMAL GEAR SELECTION
- AERODYNAMIC CAB STYLING
- DESIGNED FOR 36 PALLET B-DOUBLE



HANDLING

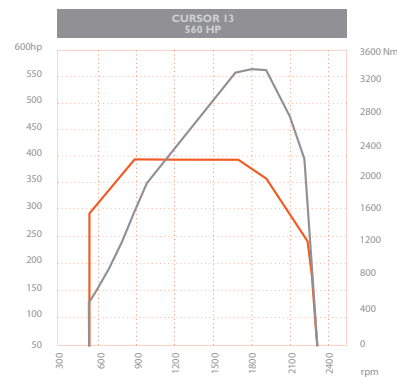
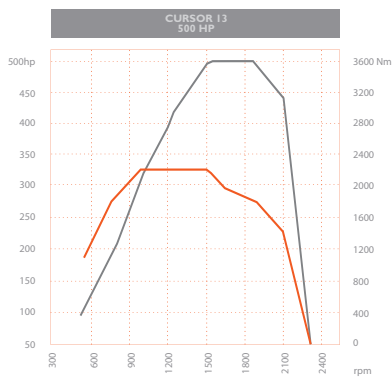
- SUPERIOR TURNING CIRCLE
- CAB AIR SUSPENSION FOR DRIVER COMFORT
- ZF EUROTRONIC II AUTOMATED TRANSMISSION WITH CRUISE CONTROL



PERFORMANCE

12.9 LITRE IVECO SERIES II CURSOR 13 (EURO 5) ENGINE

UP TO 560HP AND 2300NM OF TORQUE



ENGINE 500hp IVECO Series II Cursor 13 (EURO 5)

Optional: 560hp IVECO Series II Cursor 13 (EURO 5)

Maximum Output: 500hp/373kW
560hp/418kW

Total Displacement: 12.9 litre

Maximum Torque: 1696 lb ft/2300 Nm @ 1000-1700 rpm

Exhaust: Horizontal catalytic muffler with integrated SCR catalyser

Emissions Technology: Selective Catalytic Reduction



P E R F O R M A N C E

EUROTRONIC AUTOMATED TRANSMISSION

13 LITRE SERIES II 560 HP SCR ENGINE
EXTENDED OIL AND SERVICE INTERVALS
IVECO TURBO BRAKE WITH VGT
8 BAG REAR SUSPENSION WITH ECAS



W A R R A N T Y

24 MONTHS* / 500,000 KM / 6,000 HOURS / 100% PARTS AND LABOUR

This warranty commences on the earlier of the date of delivery of the truck to the Purchaser or the date of registration of the Vehicle.
This warranty ends on the earliest of the expiry of the duration, kilometres or hours.

Stralis Vehicles used off highway for 10% or more of total usage by kilometres will be covered by a 12 month duration warranty only.
Terms and Conditions apply, please see www.iveco.com.au for further details.

STRALIS AS-L SERIES II

CHASSIS DIMENSIONS (mm)

WB	4050
GC (Front)	244
GC (Rear)	290
AF	1475
L	6935
Turning circle*	15220

*For wall to wall, add 1300mm

CAB DIMENSIONS (mm)

	High roof	High roof with aerokit
H (Unladen)	3822	4250

SUSPENSION (mm)

	IVECO 8 Bag
B	697.5
C	697.5
D (Laden)	1040
D (Unladen)	1032

MASS RATINGS

- GVM 25.1T
- GCM 90.0T
- Chassis mass front 5.2 tonnes*
- Chassis mass rear 3.4 tonnes*
- Chassis mass total 8.6 tonnes*

*Chassis with oil and coolant, but no fuel, spare wheel or tyre.

FRONT AXLE & SUSPENSION

- IVECO 5876

Type: Forged steel I-beam

Suspension Type: Parabolic leaf springs and double acting shock absorbers

Capacity: 7.5 tonnes

REAR AXLE & SUSPENSION

- Meritor MT23-155 single reduction

Ratios: 3.40, 3.78, 4.125

- Driver controlled differential locks

Suspension Type: IVECO 8 Bag with ECAS to control ride height and double acting telescopic shock absorbers

Capacity: 21.0 tonnes

BRAKES

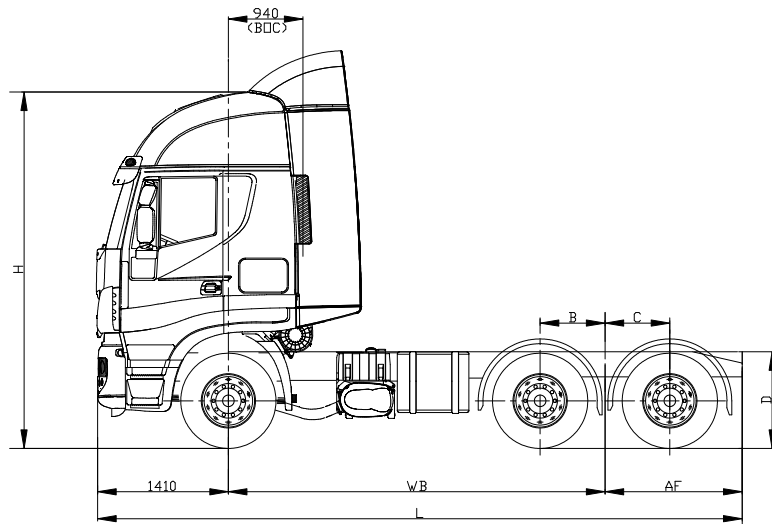
Type: 4-circuit air system

Front & Rear: 432mm Knorr disc brakes

- Wabco E 4-channel ABS/EBL and ASR
- Semi trailer air connections
- 130 litre aluminium air reservoirs

STEERING

- ZF 8098 power-assisted with gear driven pump
- 460mm diameter adjustable steering wheel



FUEL SYSTEM

- 2 x rectangular aluminium tanks = 1100 litres total
- 1 x 100 litre AdBlue tank
- Racor fuel filter
- Optional:** 3 x rectangular aluminium tanks = 1300 litres total

TRANSMISSION

- IVECO Eurotronic II 16AS2630 TO automated 16 speed overdrive
- Two-pedal operation with automatic or manual shift control

CHASSIS

Type: 304 x 80 x 7.7mm parallel-section medium tensile steel channel

- Polypropylene bumper with fog and driving lights
- FUPS
- Tapered rear of frame with fifth wheel angles
- Deckplate
- Optional:** Polished aluminium bullbar with fog and driving lights
- Polished aluminium bumper with fog and driving lights

ELECTRICAL SYSTEM

Type: 24 volt

- Multiplex computerised CANBUS integrated wiring and systems control network with centralised colour display, controls and diagnostics

Batteries: 4 x 560 amps with automatic isolation switch

Alternator: 24V, 90 amps

WHEELS & TYRES

Wheels: 8.25DC x 22.5 10-stud 335mm PCD alloy with Durabright finish

Front tyres: Dunlop SP350* 295/80R22.5

Rear: Dunlop SP431A* 11R22.5

- Alternative tyre sizes, brands and tread patterns available

*Or different brand, equivalent model

COOLING SYSTEM

- Radiator frontal area: 1300in²
- Charge air cooler frontal area: 883in²

DRIVELINE

- Spicer 2000 series compact maintenance free shafts

CAB CONSTRUCTION

- IVECO Active Space 2489mm wide, all steel, forward control high roof sleeper cab with flat floor
- Four-point cab mounting system with air suspension and dampers at rear
- Electro-hydraulic cab tilt

CAB FEATURES

- Fully adjustable heated ISRI self levelling leather air suspension driver's seat with headrest, adjustable damper and integrated lap-sash retractor seat belt
- Air suspended heated ISRI swivel leather passenger seat with headrest and integrated lap-sash retractor seat belt
- 2020 x 746 x 85mm lower bunk and 2020 x 777 x 80mm upper bunk mattress with privacy curtains
- 90° opening doors with electronically operated windows
- Radio/CD MP3 player with Bluetooth and steering wheel controls
- Storage lockers and compartments above console, below bunk and under cab
- Refrigerator under bunk
- Air conditioning with climate control

Optional: Roof deflector and side extenders

IVECO