

S T R A L I S ATi Rigid



T H E C O M F O R T A B L E C H O I C E

IVECO

# STRALIS ATi Rigid



## SAFETY

- BUMPER INTEGRATED STEPS FOR EASY WINDSCREEN CLEANING
- 3 POINTS OF CONTACT FOR EASY ENTRY AND EGRESS
- DISC BRAKES WITH ABS
- ANTI SLIP REGULATOR (ASR)
- FRONT UNDERRUN PROTECTION



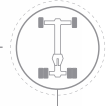
## COMFORT

- 2280MM WIDE CAB WITH INTEGRATED SLEEPER
- PNEUMATICALLY CONTROLLED ADJUSTABLE STEERING COLUMN
- DRIVER AND PASSENGER AIR SUSPENDED FULLY ADJUSTABLE, HEATED SEATS
- BUNK ACCESSIBLE CONTROL MODULE



## PRODUCTIVITY

- IMPRESSIVE FUEL EFFICIENCY
- 12 SPEED AUTOMATED TRANSMISSION FOR OPTIMAL GEAR SELECTION
- AERODYNAMIC CAB STYLING
- IDEAL FOR INTERSTATE DISTRIBUTION WORK



## HANDLING

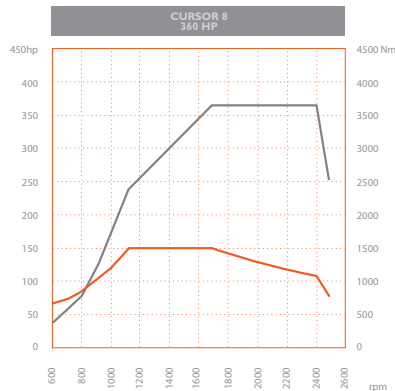
- SUPERIOR TURNING CIRCLE
- ZF EUROTRONIC II AUTOMATED TRANSMISSION WITH CRUISE CONTROL
- FRONT AIR SUSPENSION (4X2 ONLY)



## PERFORMANCE

8.0 LITRE IVECO CURSOR 8 (EURO 5) ENGINE

360HP AND 1500NM OF TORQUE



**ENGINE** 360hp IVECO Cursor 8 (EURO 5)

**Maximum Output:** 360hp/265kW

**Maximum Torque:** 1110 lb ft/1500 Nm @ 1125 rpm

**Emissions Technology:** Selective Catalytic Reduction

**Total Displacement:**

8.0 litre

**Exhaust:**

Horizontal catalytic muffler with integrated SCR catalyser



## P E R F O R M A N C E

**EUROTRONIC AUTOMATED TRANSMISSION**

8 LITRE 360HP SCR ENGINE

EXTENDED OIL AND SERVICE INTERVALS

IVECO TURBO BRAKE WITH VGT

ECAS (ELECTRONICALLY CONTROLLED AIR SUSPENSION)



## W A R R A N T Y

**24 MONTHS# / 500,000 KM / 6,000 HOURS / 100% PARTS AND LABOUR**

This warranty commences on the earlier of the date of delivery of the truck to the Purchaser or the date of registration of the Vehicle.  
This warranty ends on the earliest of the expiry of the duration, kilometres or hours.

# Stralis Vehicles used off highway for 10% or more of total usage by kilometres will be covered by a 12 month duration warranty only.

Terms and Conditions apply, please see [www.iveco.com.au](http://www.iveco.com.au) for further details.



# STRALIS ATi Rigid

## CHASSIS DIMENSIONS (mm)

	4x2	6x2
<b>WB</b>	<b>6700</b>	<b>6400</b>
GC (Front)	230	230
GC (Rear)	245	227
AF	3423	3130
L	11533	10940
Turning circle*	21930	22000

\*For wall to wall, add 1270mm

## CAB DIMENSIONS (mm)

	Low roof
H (Unladen) (4x2)	2985
H (Unladen) (6x2)	2941

## SUSPENSION (mm)

	IVECO 4 Bag (4x2)	IVECO 8 Bag (6x2)
B	-	697.5
C	-	697.5
D (Laden)	1020	1014
D (Unladen)	981	1006

## MASS RATINGS

- GVM/GCM 17.1T / 44.0T (4x2)
- GVM/GCM 25.1T / 50.0T (6x2)

	4x2	6x2
Chassis mass front	4.3 tonnes*	4.3 tonnes*
Chassis mass rear	2.1 tonnes*	3.3 tonnes*
Chassis mass total	6.4 tonnes*	7.6 tonnes*

\*Chassis with sleeper cab, oil and coolant, but no fuel, spare wheel or tyre.

## FRONT AXLE & SUSPENSION

- IVECO 5876

**Type:** Forged steel I-beam

**Capacity:** 7.5 tonnes

**Suspension Type:** IVECO Air Suspension with dual air bags (4x2)

- Parabolic leaf springs and double acting shock absorbers (6x2)

**Capacity:** 7.1 tonnes

## REAR AXLE & SUSPENSION

- Meritor MT13-175 single reduction

**Capacity:** 11.5 tonnes (4x2)

**Capacity:** 21.0 tonnes (6x2)

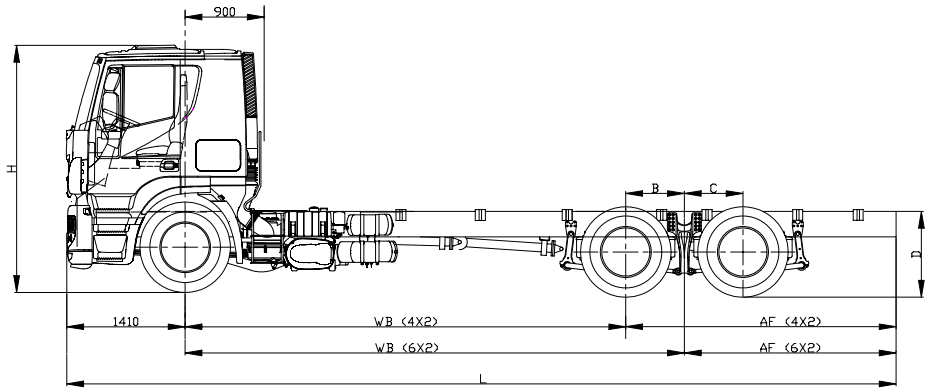
**Ratios:** 3.36

- Driver controlled differential locks

**Suspension Type:** IVECO 4 Bag (4x2)

- IVECO 4 bag + 4 bag for lazy axle (6x2) with ECAS to control ride height

**Capacity:** 11.5 tonnes (4x2) / 21.0 tonnes (6x2)



## BRAKES

**Type:** 4-circuit air system

**Front:** 432mm Knorr disc brakes

**Rear:** 432mm Knorr disc brakes

- Wabco E 4-channel ABS/EBL and ASR
- Semi trailer air connections
- 130 litre aluminium air reservoirs

## STEERING

- ZF 8098 power-assisted with gear driven pump
- 460mm diameter adjustable steering wheel

## FUEL SYSTEM

- 1 x 400 litre rectangular aluminium tank (RHS)
- 1 x 55 litre AdBlue tank

## TRANSMISSION

- IVECO Eurotronic II 12AS1930 TD automated 12 speed overdrive
- Two-pedal operation with automatic or manual shift control

## CHASSIS

**Type:** 304 x 80 x 7.7mm parallel-section medium tensile steel channel

- Polypropylene bumper with fog and driving lights
- FUPS
- Square end of frame with trailer connections to ROF

## ELECTRICAL SYSTEM

**Type:** 24 volt

- Multiplex computerised CANBUS integrated wiring and systems control network with centralised colour display, controls and diagnostics

**Batteries:** 2 x 220 amps with automatic isolation switch

**Alternator:** 24V, 90 amps

## WHEELS & TYRES

**Wheels:** 8.25DC x 22.5 10-stud 335mm PCD steel disc

**Front tyres:** Michelin XZE2\* 295/80R22.5

**Rear:** Michelin XZE2\* 295/80R22.5

\*Or different brand, equivalent model

## COOLING SYSTEM

- Radiator frontal area: 930in<sup>2</sup>
- Charge air cooler frontal area: 775in<sup>2</sup>

## DRIVELINE

- Spicer 2000 series compact maintenance free shafts

## CAB CONSTRUCTION

- IVECO Active Time 2280mm wide, all steel, forward control low roof sleeper cab
- Four-point cab mounting system with air suspension and dampers at rear
- Hydraulic cab tilt

## CAB FEATURES

- Fully adjustable ISRI self levelling air suspension driver's seat with headrest, armrest, adjustable damper and integrated ap-sash retractor seat belt
- Fixed ISRI passenger seat with lap-sash retractor seat belt
- Active Time sleeper cab with 2020 x 620mm lower bunk mattress, privacy curtains and cooler box
- 90° opening doors with electronically operated windows
- Radio/CD MP3 player with Bluetooth and steering wheel controls
- Storage lockers and compartments above console and below bunk
- Air conditioning
- Expansion module and PTO provision

# IVECO